

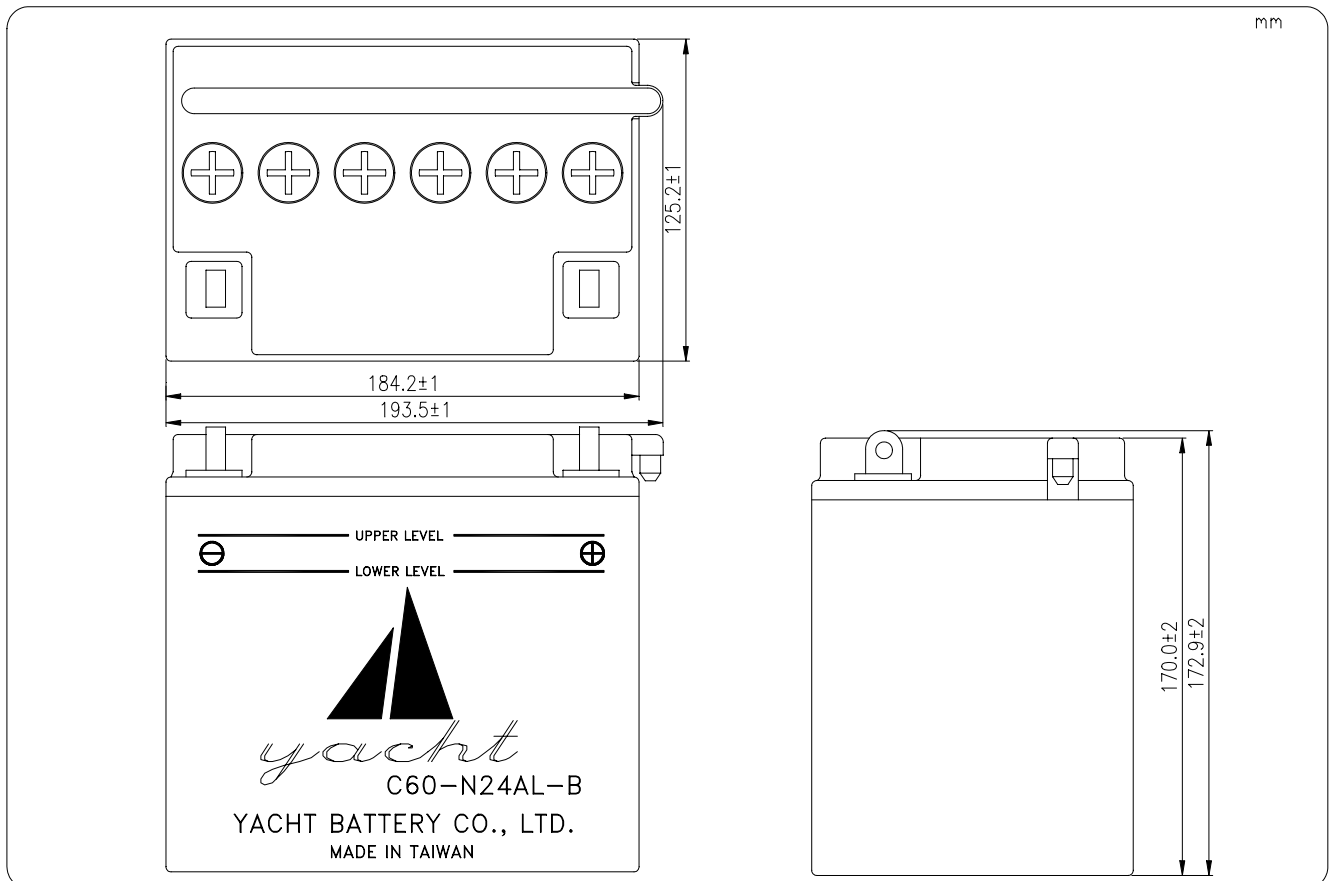
# MOTORCYCLE LEAD-ACID BATTERY

**C60-N24AL-B**

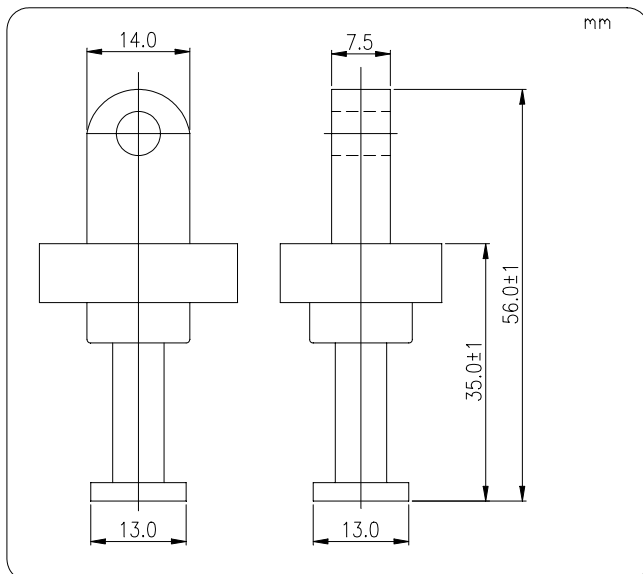
**12V 28Ah**

TYPE		C60-N24AL-B	
NOMINAL VOLTAGE		12V	
NOMINAL CAPACITY		28AH/10HR	
DIMENSIONS			
LENGTH	184.2 mm	TOTAL LENGTH	184.2 mm
WIDTH	125.2 mm	TOTAL WIDTH	125.2 mm
HEIGHT	170.0 mm	TOTAL HEIGHT	170.0 mm
WEIGHT		APPROX. 6.9 KGS	

Dimension



Terminal



Screw

