



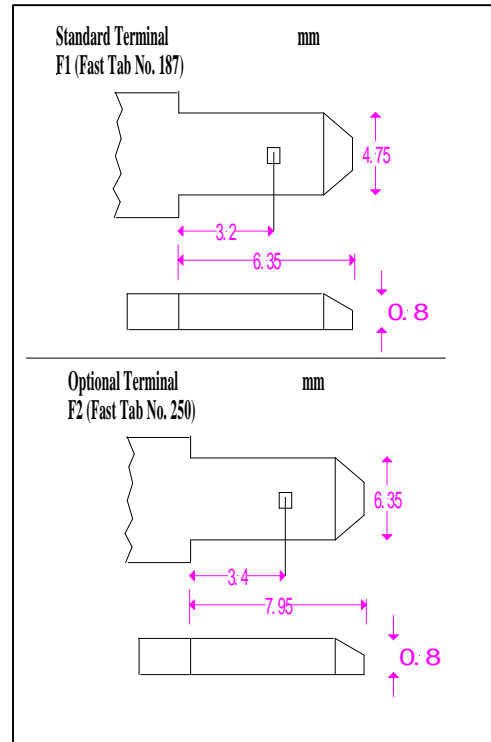
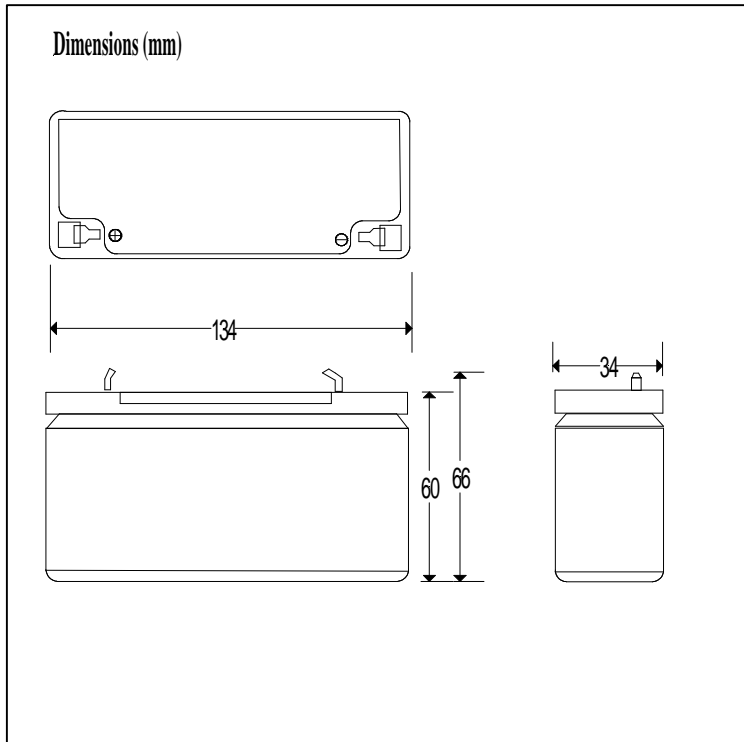
UB634 (6V3.4Ah)

NOTE



PHYSICAL SPECIFICATIONS

Nominal Voltage Nominal Capacity (20HR)		6V 3.4 Ah
Dimensions	Length	134 +/-1mm(5.28 inches)
	Width	34 +/-1mm(1.34 inches)
	Height	60 +/-1mm(2.36 inches)
	Total Height	66 +/-1mm(2.60 inches)
Weight		Approx. 0.692 kg (1.52lbs)
Standard Terminal		F1 – Faston Tab No.187





UB634 (6V3.4Ah)

ELECTRICAL SPECIFICATIONS

Capacity	20 hour rate (0.17A)	3.4 Ah	Max. charging Current		0.99A
	10 hour rate (0.34A)	3.4 Ah	Constant Voltage Charge	Cycle	7.0 to 7.5V (-30mV °C)
5 hour rate (0.68A)	2.9 Ah				
1 hour rate (0.66A)	2.0 Ah				
Capacity affected by Temperature	40°C(104°F)	105%	Standby	6.75 to 6.9V (-20mV °C)	
	20°C(68°F)	100%			
	0°C(32°F)	85%			
Internal Resistance Fully charged battery (20°C, 68°F) 38milliohms					

