



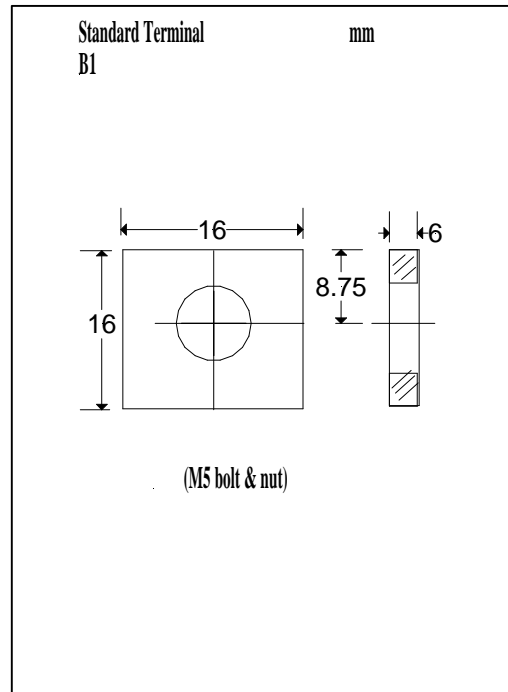
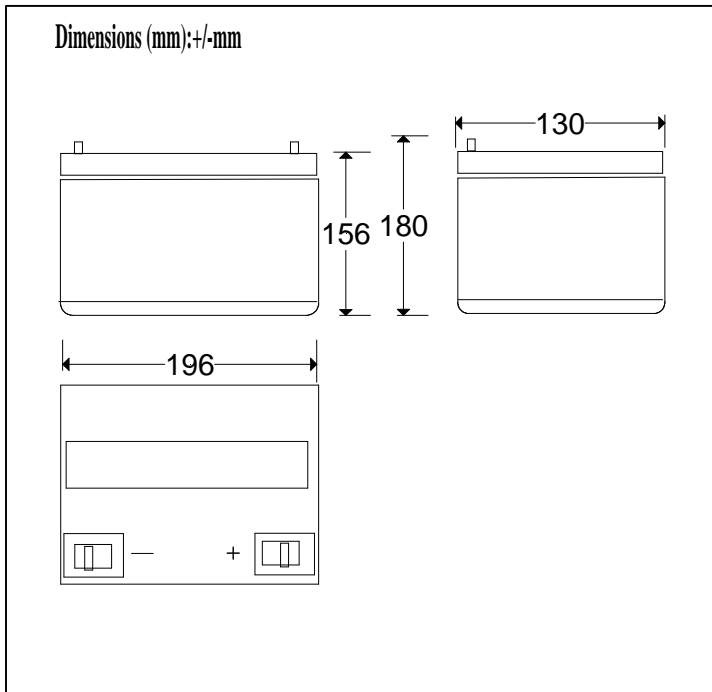
UB12350 (12V35Ah)

NOTE



PHYSICAL SPECIFICATIONS

Nominal Voltage Nominal Capacity (20HR)		12V 35Ah
Dimensions	Length Width Height Total Height	197 +/-1mm(7.76 inches) 130 +/-1mm(5.12 inches) 156 +/-1mm(6.14 inches) 180 +/-1mm(7.09 inches)
Weight		Approx. 11.107 kg (24.44lbs)
Standard Terminal		B1-M5 bolt & nut





ELECTRICAL SPECIFICATIONS

Capacity	20 hour rate (1.7A)	35 Ah	Max. Discharge Current (5 sec.)	180A	
	10 hour rate (3.0A)	30.5 Ah		Constant Voltage Charge	Cycle
	5 hour rate (5.4A)	21.6 Ah	Standby		13.5 to 13.8V (-20mV/°C)
	1 hour (20A)	18 Ah		Internal Resistance Fully charged battery (20°C, 68°F) 10milliohms	

