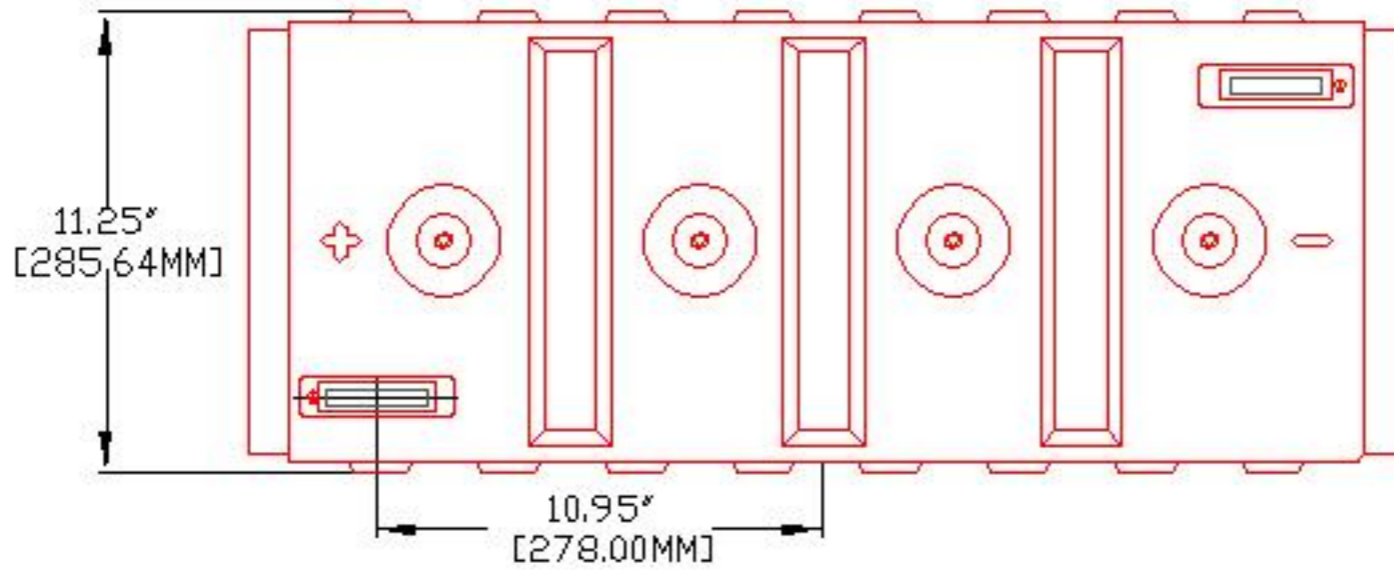


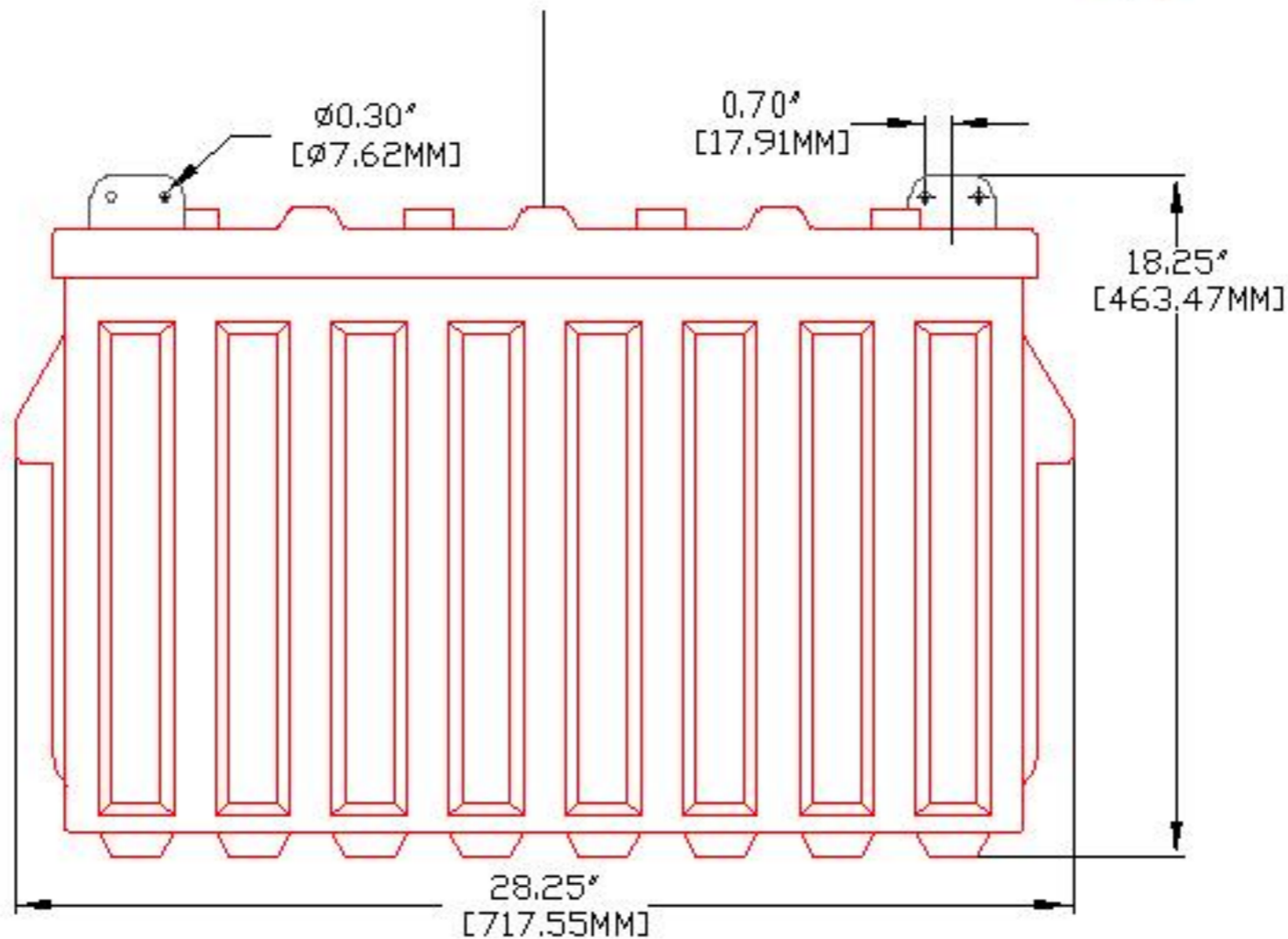
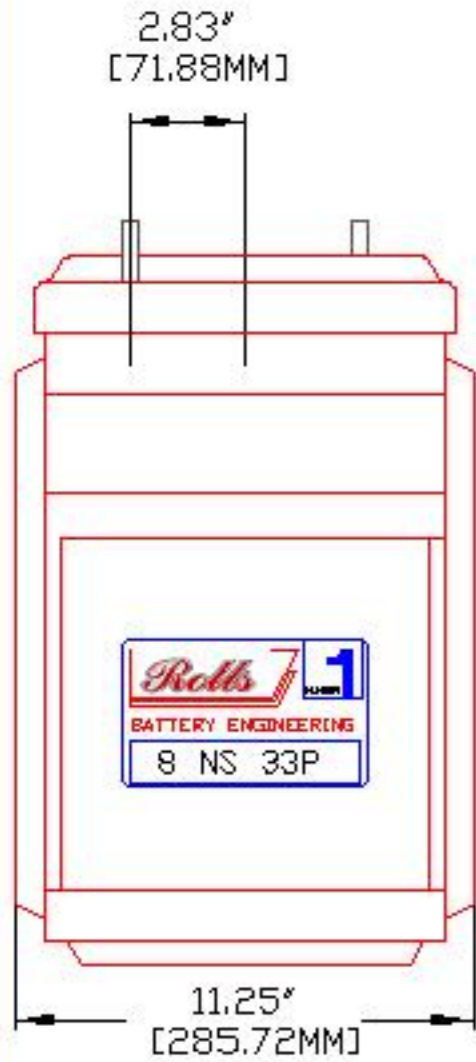


DEEP CYCLE-MARINE SERIES 5000

BATTERY TYPE	VOLTS	8	8 NS 33PM
DIMENSIONS			
LENGTH		718 MM	28 1/4 INCHES
WIDTH		286 MM	11 1/4 INCHES
HEIGHT		464 MM	18 1/4 INCHES
WEIGHT DRY		114 KG	250 LBS.
WEIGHT WET		160 KG	352 LBS.
CONTAINER CONSTRUCTION			
INNER CONTAINER		POLYPROPYLENE	
INNER COVER		POLYPROPYLENE - HEAT SEALED TO INNER CONTAINER	
OUTER CONTAINER		HIGH DENSITY POLYETHYLENE	
OUTER COVER		HIGH DENSITY POLYETHYLENE SNAP FIT TO OUTER CONTAINER	
HANDLES		MOLDED	
PLATES PER CELL		33	
ELECTROLYTE RESERVE	ABOVE PLATES	143 MM	5.63 INCHES
DESIGN CRITREA	10 YEAR WARRANTY	1350 CYCLES	15 YEAR LIFE
POSITIVE PLATE DIMENSION			
HEIGHT		222 MM	8.750 INCHES
WIDTH		143 MM	5.625 INCHES
THICKNESS		3.81 MM	0.150 INCHES
NEGATIVE PLATE DIMENSION			
HEIGHT		222 MM	8.750 INCHES
WIDTH		143 MM	5.625 INCHES
THICKNESS		3.05 MM	0.120 INCHES
SEPARATOR	SEPARATOR THICKNESS	0.105 INCH	
INSULATION	0.020" GLASS MAT		
TERMINALS	FLAG WITH STAINLESS STEEL NUTS AND BOLTS		
COLD CRANK	CCA	0°F / -17.8°C	2204
	MCA	32°F / 0°C	2755
	RESERV		1042
	MINUTES AT 25A		
CAPACITY	20 HR RATE	625	
		CAP / AH CURRENT / AMPS	
CAPACITY AT THE 20 HOUR RATE	1.265 SP. GR.	625	31.3
CAPACITY AT THE 15 HOUR RATE	1.265 SP. GR.	588	39.2
CAPACITY AT THE 12 HOUR RATE	1.265 SP. GR.	556	46.4
CAPACITY AT THE 10 HOUR RATE	1.265 SP. GR.	531	53.1
CAPACITY AT THE 8 HOUR RATE	1.265 SP. GR.	500	62.5
CAPACITY AT THE 6 HOUR RATE	1.265 SP. GR.	463	77.1
CAPACITY AT THE 5 HOUR RATE	1.265 SP. GR.	438	88
CAPACITY AT THE 4 HOUR RATE	1.265 SP. GR.	406	102
CAPACITY AT THE 3 HOUR RATE	1.265 SP. GR.	369	123
CAPACITY AT THE 2 HOUR RATE	1.265 SP. GR.	319	159
CAPACITY AT THE 1 HOUR RATE	1.265 SP. GR.	225	225



PART NUMBER: 8-NS-33P
 WEIGHT WET: 353 LB / 160 KG
 WEIGHT DRY: 251 LB / 114 KG
 CCA @ 0°F / -17.8 °C 2,204 A
 CCA @ 32°F / 0 °C 2,755 A
 VOLTAGE 8 V
 OVERALL DIMENSIONS: 28 1/4" x 11 1/4" x 18 1/4"
 MAX HEIGHT WITH OPTIONAL HYDROCAPS 18.63" / 473 MM



BATTERY ENGINEERING
 SALEM, MASS

TITLE: 8NS33P

DESCRIPTION: 8V 500/5000 SERIES

CONTACT INFO:
 WEB: WWW.ROLLSBATTERY.COM
 E-MAIL: SALES@ROLLSBATTERY.COM
 PHONE: 1-800-681-9914

SCALE: 1" = 6" 1" = 4" JPEG
 8.5" X 11" 11" X 17" NOT TO SCALE

Drawn by: S. WILES Approved By: D. SURRETTE

DATE: 16-Feb-01 REVISION: 2.1

DRAWING NO.: DWG 015, BD8NS33P