

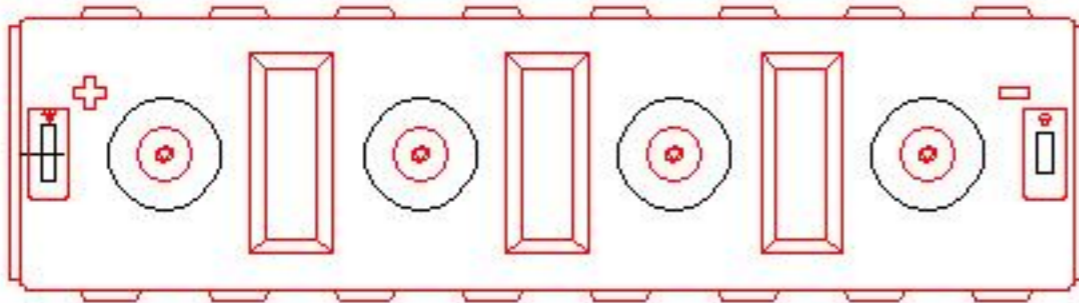


DEEP CYCLE-MARINE SERIES 4000

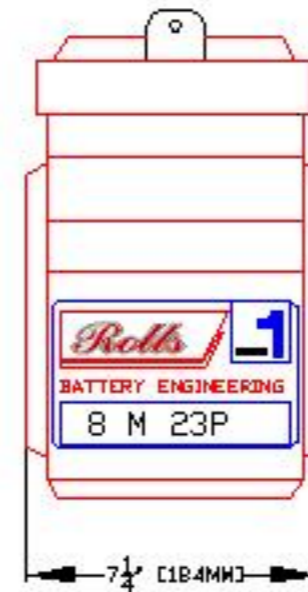
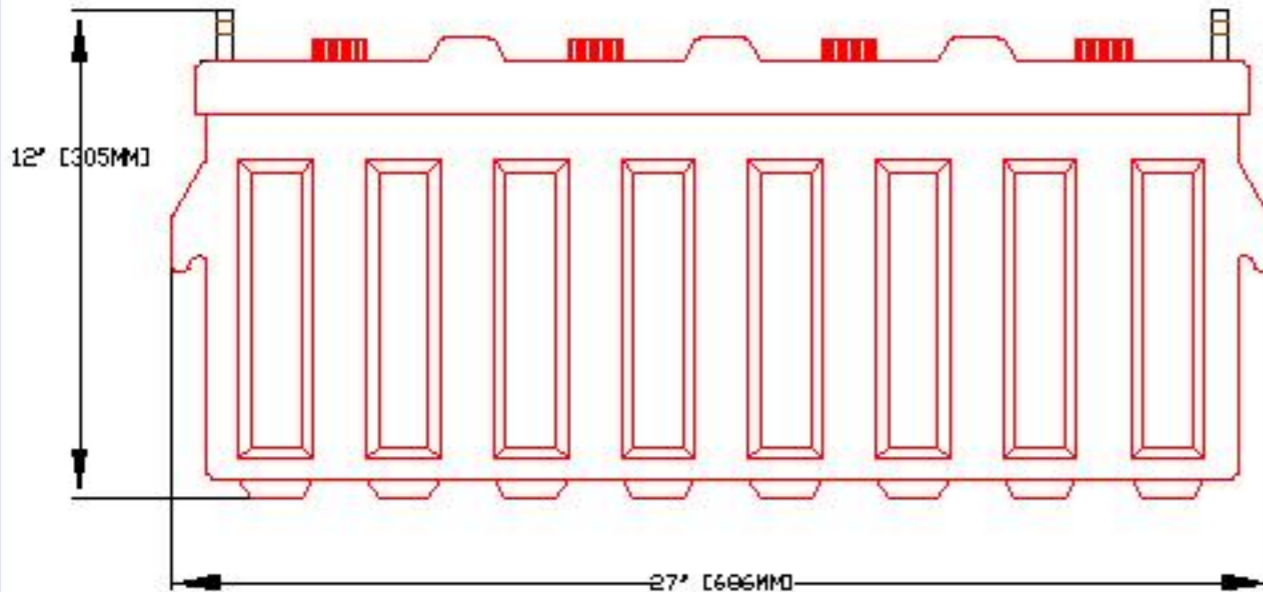
BATTERY TYPE	VOLTS	8	8 M 23PM
DIMENSIONS			
LENGTH	686 MM	27	INCHES
WIDTH	184 MM	7 1/4	INCHES
HEIGHT	305 MM	12	INCHES
WEIGHT DRY	43 KG	95	LBS.
WEIGHT WET	58 KG	127	LBS.
CONTAINER CONSTRUCTION			
INNER CONTAINER	POLYPROPYLENE		
INNER COVER	POLYPROPYLENE - HEAT SEALED TO INNER CONTAINER		
OUTER CONTAINER	HIGH DENSITY POLYETHYLENE		
OUTER COVER	HIGH DENSITY POLYETHYLENE SNAP FIT TO OUTER CONTAINER		
HANDLES	MOLDED		
PLATES PER CELL	25		
ELECTROLYTE RESERVE ABOVE PLATES	95 MM	3.75	INCHES
DESIGN CRITREA 7 YEAR WARRANTY	1300CYCLES	10	YEAR LIFE
POSITIVE PLATE DIMENSION			
HEIGHT	127 MM	5	INCHES
WIDTH	143 MM	5.625	INCHES
THICKNESS	3.18 MM	0.125	INCHES
NEGATIVE PLATE DIMENSION			
HEIGHT	127 MM	5	INCHES
WIDTH	143 MM	5.625	INCHES
THICKNESS	2.08 MM	0.082	INCHES
SEPARATOR INSULATION	SEPARATOR THICKNESS	0.081 INCH	
	0.020" GLASS MAT		
TERMINALS	FLAG WITH STAINLESS STEEL NUTS AND BOLTS		
COLD CRANK	CCA	0°F / -17.8°C	1350
	MCA	32°F / 0°C	1688
	RESERV		603
	MINUTES AT 25A		
CAPACITY	20 HR RATE	300	
		CAP / AH CURRENT / AMPS	
CAPACITY AT THE 20 HOUR RATE	1.265 SP. GR.	300	15.0
CAPACITY AT THE 15 HOUR RATE	1.265 SP. GR.	282	18.8
CAPACITY AT THE 12 HOUR RATE	1.265 SP. GR.	267	22.3
CAPACITY AT THE 10 HOUR RATE	1.265 SP. GR.	255	25.5
CAPACITY AT THE 8 HOUR RATE	1.265 SP. GR.	240	30.0
CAPACITY AT THE 6 HOUR RATE	1.265 SP. GR.	222	37.0
CAPACITY AT THE 5 HOUR RATE	1.265 SP. GR.	210	42
CAPACITY AT THE 4 HOUR RATE	1.265 SP. GR.	195	49
CAPACITY AT THE 3 HOUR RATE	1.265 SP. GR.	177	59
CAPACITY AT THE 2 HOUR RATE	1.265 SP. GR.	153	77
CAPACITY AT THE 1 HOUR RATE	1.265 SP. GR.	108	108



PART NUMBER: 8-M-23P
 WEIGHT WET: 127 LB / 58 KG
 WEIGHT DRY: 95 LB / 43 KG
 CAPACITY: 240 AH 20 HR
 CCA @ 0°F / -17.8 °C: 1138 A
 CCA @ 32°F / 0 °C: 1,422 A
 VOLTAGE: 8 V
 OVERALL DIMENSIONS: 27x 7 1/4x 12"



MAX HEIGHT WITH OPTIONAL HYDROCAPS: 12.58" / 320 MM



Rolls

BATTERY ENGINEERING SALEM, MASS

TITLE: 8M23P

DESCRIPTION: 8V DEEP CYCLE 400/4000 SERIES

CONTACT INFO:
 WEB: WWW.ROLLSBATTERY.COM
 E-MAIL: SALES@ROLLSBATTERY.COM
 PHONE: 1-800-681-9914

SCALE: 1" = 6" 1" = 4" JPEG
 8.5" X 11" 11" X 17" NOT TO SCALE

Drawn by: S. WILES Approved By: D. SURRETTE

DATE: 20-Feb-01 REVISION 1.1

DRAWING NO: DWG 010, BD8M23P