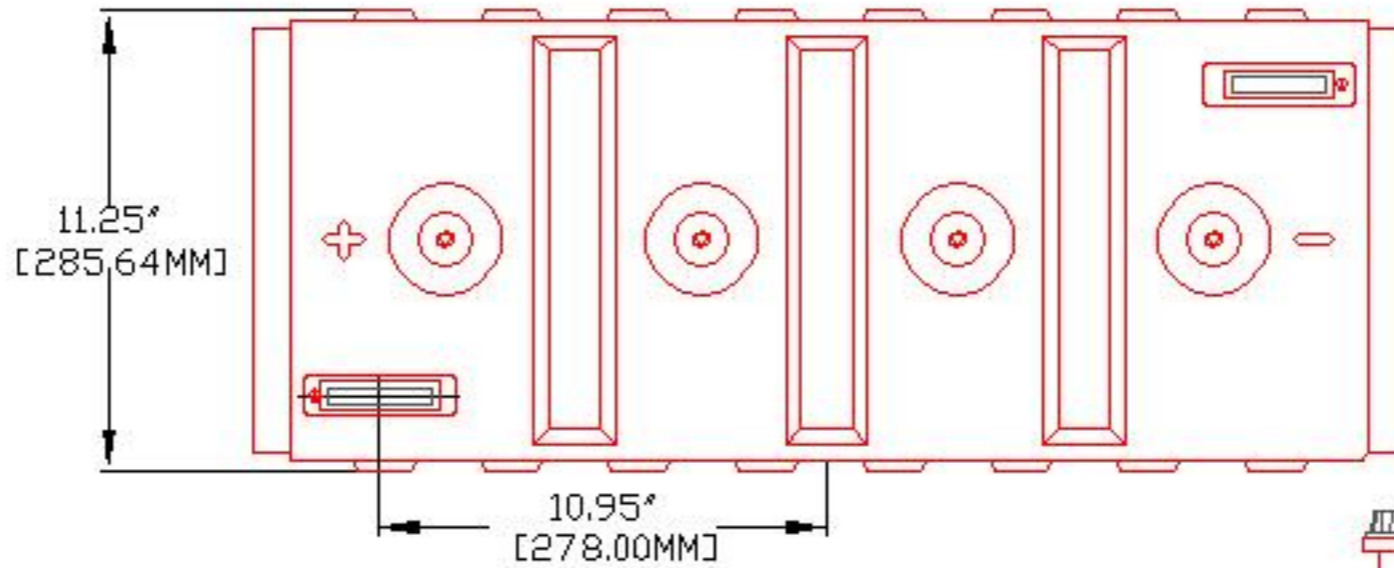




# DEEP CYCLE-MARINE SERIES 5000

<b>BATTERY TYPE</b>	<b>VOLTS</b>	<b>8</b>	<b>8 CH 33PM</b>
<b>DIMENSIONS</b>			
LENGTH	718 MM	28 1/4	INCHES
WIDTH	286 MM	11 1/4	INCHES
HEIGHT	464 MM	18 1/4	INCHES
<b>WEIGHT DRY</b>	126 KG	278	LBS.
<b>WEIGHT WET</b>	188 KG	414	LBS.
<b>CONTAINER CONSTRUCTION</b>			
INNER CONTAINER	POLYPROPYLENE		
INNER COVER	POLYPROPYLENE - HEAT SEALED TO INNER CONTAINER		
OUTER CONTAINER	HIGH DENSITY POLYETHYLENE		
OUTER COVER	HIGH DENSITY POLYETHYLENE SNAP FIT TO OUTER CONTAINER		
HANDLES	MOLDED		
<b>PLATES PER CELL</b>	33		
<b>ELECTROLYTE RESERVE</b> ABOVE PLATES	95 MM	3.75	INCHES
<b>DESIGN CRITREA</b> 10 YEAR WARRANTY	1350 CYCLES	15	YEAR LIFE
<b>POSITIVE PLATE DIMENSION</b>			
HEIGHT	270 MM	10.625	INCHES
WIDTH	143 MM	5.625	INCHES
THICKNESS	3.81 MM	0.150	INCHES
<b>NEGATIVE PLATE DIMENSION</b>			
HEIGHT	270 MM	10.625	INCHES
WIDTH	143 MM	5.625	INCHES
THICKNESS	3.05 MM	0.120	INCHES
<b>SEPARATOR</b>	SEPARATOR THICKNESS	0.105 INCH	
<b>INSULATION</b>	0.020" GLASS MAT		
<b>TERMINALS</b>	FLAG WITH STAINLESS STEEL NUTS AND BOLTS		
<b>COLD CRANK</b>	CCA	0°F / -17.8°C	2648
	MCA	32°F / 0°C	3310
	<b>RESERV</b>		1410
	<b>MINUTES AT 25A</b>		
<b>CAPACITY</b>	20 HR RATE	846	
		CAP / AH CURRENT / AMPS	
<b>CAPACITY AT THE 20 HOUR RATE</b>	<b>1.265 SP. GR.</b>	<b>846</b>	<b>42.3</b>
CAPACITY AT THE 15 HOUR RATE	1.265 SP. GR.	795	53.0
CAPACITY AT THE 12 HOUR RATE	1.265 SP. GR.	753	62.7
CAPACITY AT THE 10 HOUR RATE	1.265 SP. GR.	719	71.9
CAPACITY AT THE 8 HOUR RATE	1.265 SP. GR.	677	84.6
CAPACITY AT THE 6 HOUR RATE	1.265 SP. GR.	626	104.3
CAPACITY AT THE 5 HOUR RATE	1.265 SP. GR.	592	118
CAPACITY AT THE 4 HOUR RATE	1.265 SP. GR.	550	137
CAPACITY AT THE 3 HOUR RATE	1.265 SP. GR.	499	166
CAPACITY AT THE 2 HOUR RATE	1.265 SP. GR.	431	216
CAPACITY AT THE 1 HOUR RATE	1.265 SP. GR.	305	305



PART NUMBER: 8-CH-33P

WEIGHT WET: 414 LB / 188 KG

WEIGHT DRY: 278 LB / 126 KG

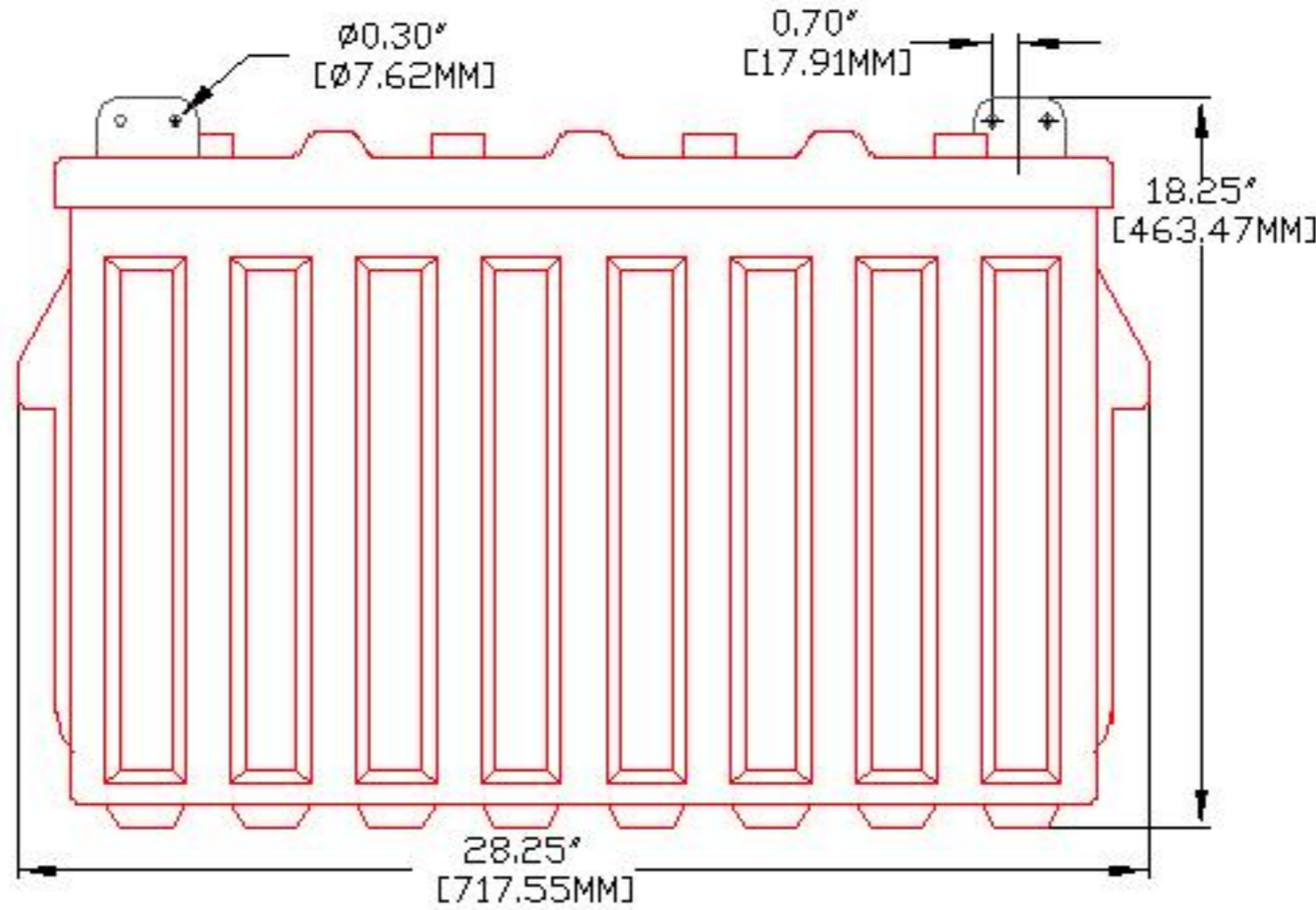
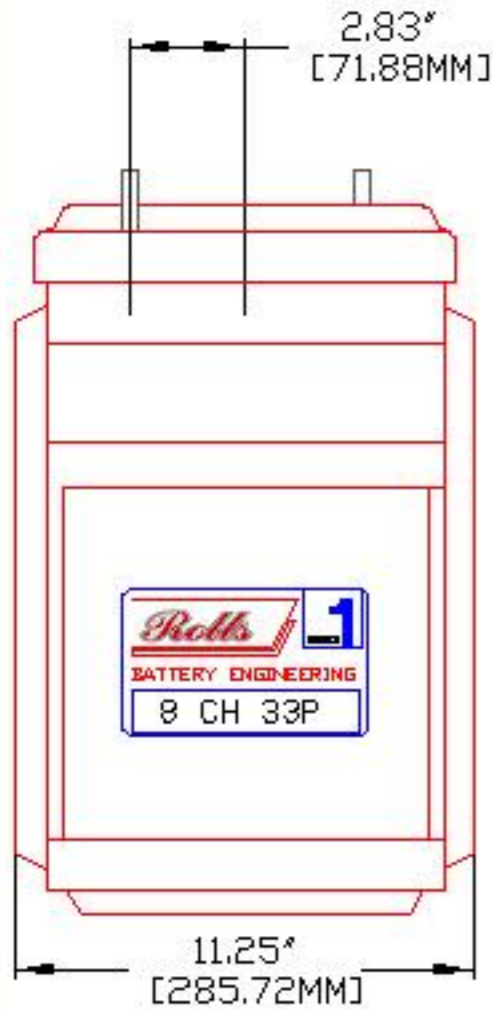
CCA @ 0°F / -17.8 °C 2,648 A

CCA @ 32°F / 0 °C 3,310 A

VOLTAGE 8 V

OVERALL DIMENSIONS: 28 1/4" x 11 1/4" x 18 1/4"

MAX HEIGHT WITH OPTIONAL HYDROCAPS 18.63" / 473 MM



BATTERY ENGINEERING SALEM, MASS	
TITLE:	8CH33P
DESCRIPTION:	8V 500/5000 SERIES
CONTACT INFO:	WEB: WWW.ROLLSBATTERY.COM E-MAIL: SALES@ROLLSBATTERY.COM PHONE: 1-800-681-9914
SCALE:	1" = 6" 1" = 4" JPEG 8.5" X 11" 11" X 17" NOT TO SCALE
Drawn by:	Approved By:
S. WILES	D. SURRETTE
DATE:	REVISION:
16-Feb-01	2.1
DRAWING NO.:	DWG 016, BD8CH33P