



DEEP CYCLE-MARINE SERIES 4000

BATTERY TYPE

VOLTS 6

6 HHG 31PM

DIMENSIONS

LENGTH	527 MM	20 3/4	INCHES
WIDTH	203 MM	8	INCHES
HEIGHT	302 MM	11 7/8	INCHES

WEIGHT DRY

44 KG 96 LBS.

WEIGHT WET

57 KG 125 LBS.

CONTAINER CONSTRUCTION

INNER CONTAINER	POLYPROPYLENE
INNER COVER	POLYPROPYLENE - HEAT SEALED TO INNER CONTAINER
OUTER CONTAINER	HIGH DENSITY POLYETHYLENE
OUTER COVER	HIGH DENSITY POLYETHYLENE SNAP FIT TO OUTER CONTAINER
HANDLES	MOLDED

PLATES PER CELL

31

ELECTROLYTE RESERVE

ABOVE PLATES

70 MM 2.75 INCHES

DESIGN CRITREA

7 YEAR WARRANTY

1300 CYCLES

10 YEAR LIFE

POSITIVE PLATE DIMENSION

HEIGHT	140 MM	5.500	INCHES
WIDTH	143 MM	5.625	INCHES
THICKNESS	3.81 MM	0.150	INCHES

NEGATIVE PLATE DIMENSION

HEIGHT	140 MM	5.500	INCHES
WIDTH	137 MM	5.375	INCHES
THICKNESS	2.49 MM	0.098	INCHES

SEPARATOR INSULATION

SEPARATOR THICKNESS
0.020" GLASS MAT

0.081 INCH

TERMINALS

FLAG WITH STAINLESS STEEL NUTS AND BOLTS

COLD CRANK

CCA 0°F / -17.8°C 1444

MCA 32°F / 0°C 1805

RESERVE

MINUTES AT 25A

696

CAPACITY

20 HR RATE 344

CAP / AH CURRENT / AMPS

CAPACITY AT THE 20 HOUR RATE

1.265 SP. GR.

344

17.2

CAPACITY AT THE 15 HOUR RATE

1.265 SP. GR.

323

21.6

CAPACITY AT THE 12 HOUR RATE

1.265 SP. GR.

306

25.5

CAPACITY AT THE 10 HOUR RATE

1.265 SP. GR.

292

29.2

CAPACITY AT THE 8 HOUR RATE

1.265 SP. GR.

275

34.4

CAPACITY AT THE 6 HOUR RATE

1.265 SP. GR.

255

42.4

CAPACITY AT THE 5 HOUR RATE

1.265 SP. GR.

241

48

CAPACITY AT THE 4 HOUR RATE

1.265 SP. GR.

224

56

CAPACITY AT THE 3 HOUR RATE

1.265 SP. GR.

203

68

CAPACITY AT THE 2 HOUR RATE

1.265 SP. GR.

175

88

CAPACITY AT THE 1 HOUR RATE

1.265 SP. GR.

124

124

PART NUMBER:

6-HHG-31P

WEIGHT WET:

125 LB / 57 KG

WEIGHT DRY:

96 LB / 44 KG

CAPACITY:

344 AH 20 HR

CCA @ 0°F / -17.8 °C

1,445 A

CCA @ 32°F / 0 °C

1,806 A

VOLTAGE:

6 V

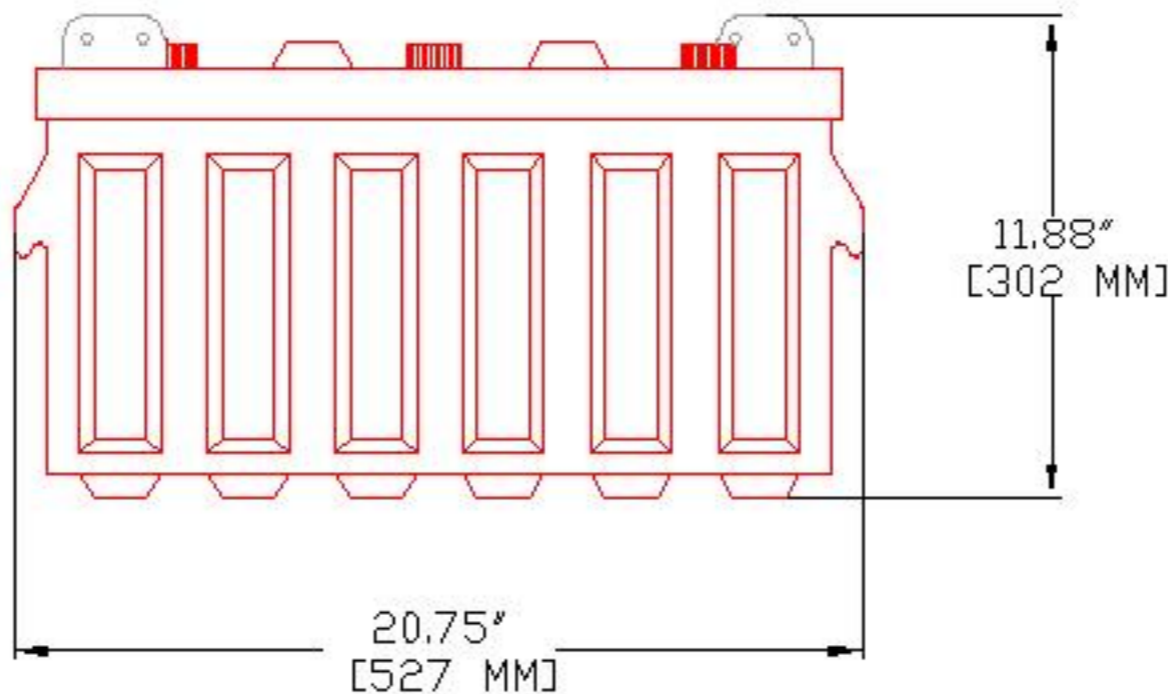
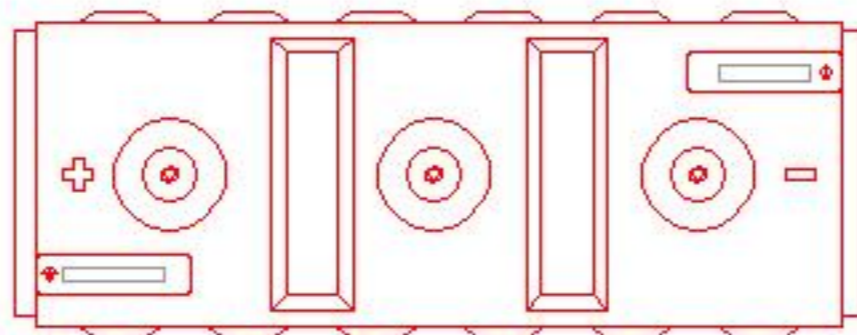
OVERALL DIMENSIONS:

20 3/4 x 8 x 11 7/8"



MAX HEIGHT WITH
OPTIONAL HYDROCAPS

12.43" / 316 MM



BATTERY ENGINEERING
SALEM/MASS./USA
PRODUCT OF CANADA

TITLE:

6HHG31P

DESCRIPTION:

6V DEEP CYCLE 400/4000 SERIES

CONTACT INFO:

WEB: WWW.SURRETTE.COM
E-MAIL: SALES@SURRETTE.COM
PHONE: 1-800-681-9914

SCALE: 1" = 6" 1" = 4" JPEG
8.5" X 11" 11" X 17" NOT TO SCALE

Drawn by:
S. WILES

Approved By:
D. SURRETTE

DATE: 20-Feb-01 REVISION 1.1

DRAWING NO: DWG 03E, BD6HHG31P