

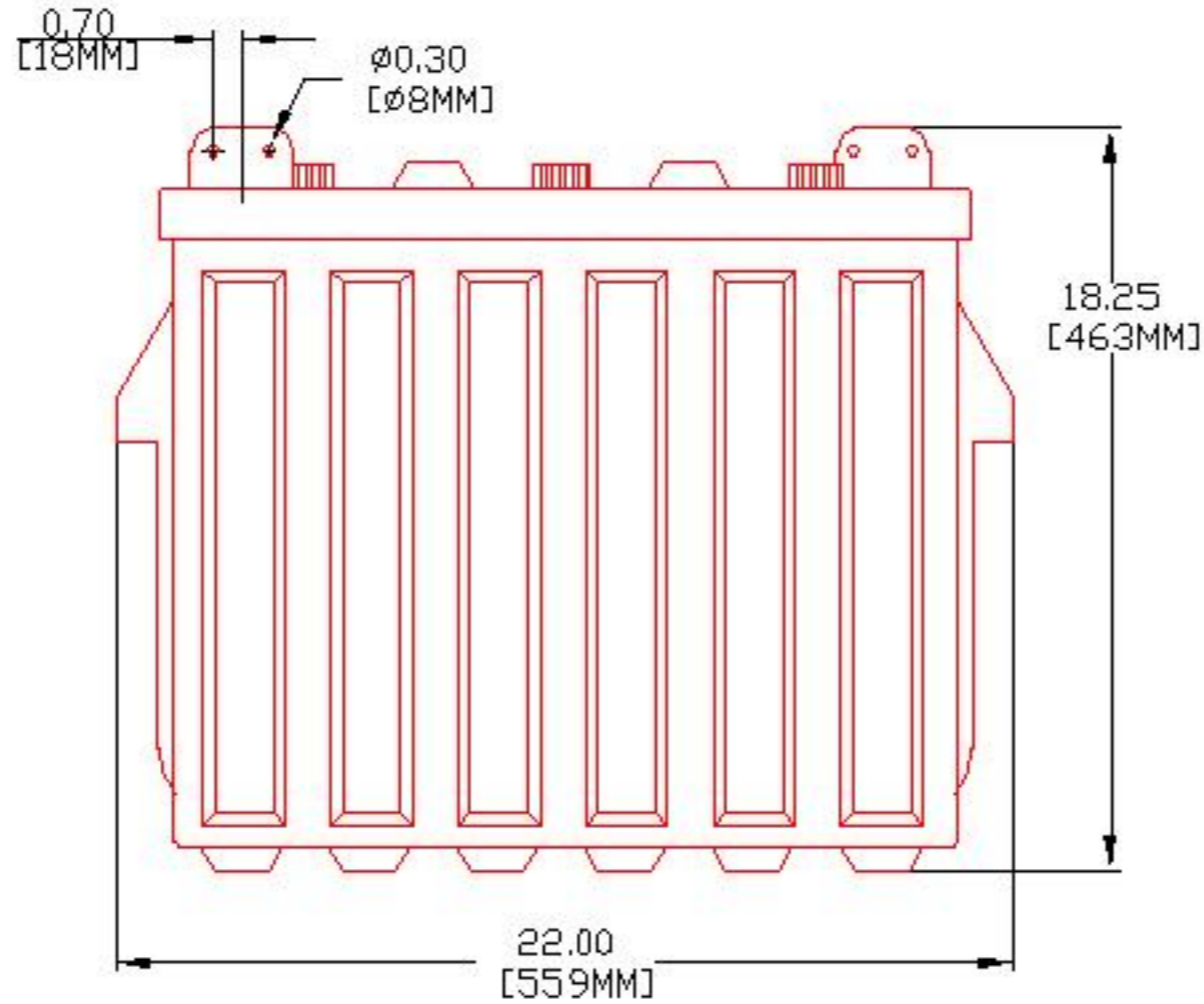
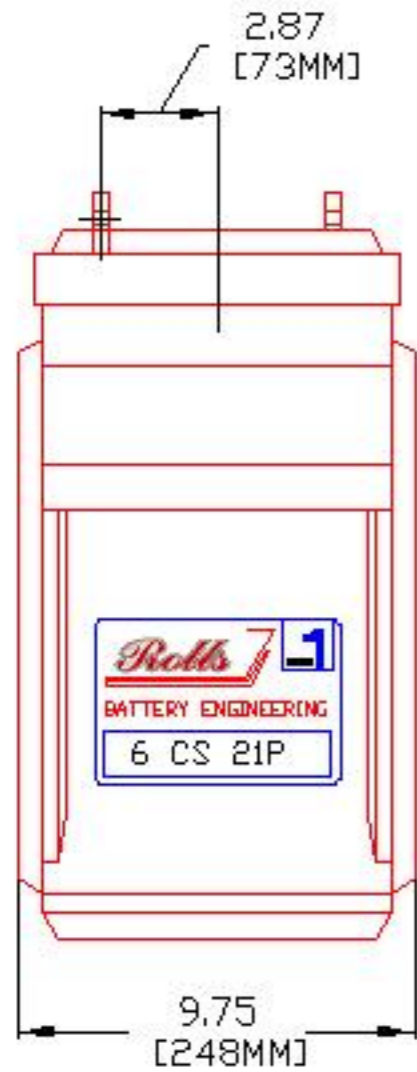
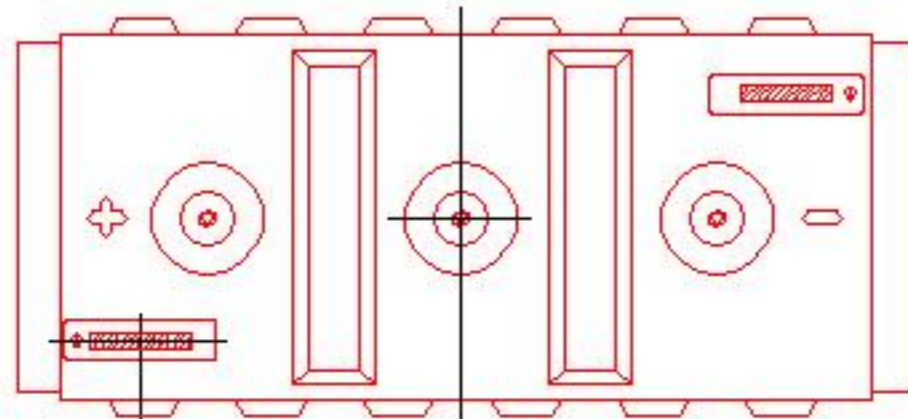


# DEEP CYCLE-MARINE SERIES 5000

<b>BATTERY TYPE</b>	<b>VOLTS</b>	<b>6</b>	<b>6 CS 21PM</b>	
<b>DIMENSIONS</b>				
LENGTH		559 MM	22	INCHES
WIDTH		248 MM	9 3/4	INCHES
HEIGHT		464 MM	18 1/4	INCHES
<b>WEIGHT DRY</b>		99 KG	217	LBS.
<b>WEIGHT WET</b>		123 KG	271	LBS.
<b>CONTAINER CONSTRUCTION</b>				
INNER CONTAINER		POLYPROPYLENE		
INNER COVER		POLYPROPYLENE - HEAT SEALED TO INNER CONTAINER		
OUTER CONTAINER		HIGH DENSITY POLYETHYLENE		
OUTER COVER		HIGH DENSITY POLYETHYLENE SNAP FIT TO OUTER CONTAINER		
HANDLES		MOLDED		
<b>PLATES PER CELL</b>		21		
<b>ELECTROLYTE RESERVE</b>	ABOVE PLATES	95 MM	3.75	INCHES
<b>DESIGN CRITREA</b>	10 YEAR WARRANTY	3300	CYCLES	15 YEAR LIFE
<b>POSITIVE PLATE DIMENSION</b>				
HEIGHT		273 MM	10.750	INCHES
WIDTH		143 MM	5.625	INCHES
THICKNESS		6.73 MM	0.265	INCHES
<b>NEGATIVE PLATE DIMENSION</b>				
HEIGHT		273 MM	10.750	INCHES
WIDTH		143 MM	5.625	INCHES
THICKNESS		4.70 MM	0.185	INCHES
<b>SEPARATOR INSULATION</b>	SEPARATOR THICKNESS	0.105 INCH		
	POSITVE PLATE ENVELOPED BY VERTICAL SLYVER GLASS MAT			
<b>TERMINALS</b>	FLAG WITH STAINLESS STEEL NUTS AND BOLTS			
<b>COLD CRANK</b>	CCA	0°F / -17.8°C	1740	<b>RESERVE</b>
	MCA	32°F / 0°C	2175	<b>MINUTES AT 25A</b>
				1353
<b>CAPACITY</b>	20 HR RATE	683		
		CAP / AH	CURRENT / AMPS	
<b>CAPACITY AT THE 20 HOUR RATE</b>	<b>1.265 SP. GR.</b>	<b>683</b>	<b>34.2</b>	
CAPACITY AT THE 15 HOUR RATE	1.265 SP. GR.	642	42.8	
CAPACITY AT THE 12 HOUR RATE	1.265 SP. GR.	608	50.7	
CAPACITY AT THE 10 HOUR RATE	1.265 SP. GR.	581	58.1	
CAPACITY AT THE 8 HOUR RATE	1.265 SP. GR.	546	68.3	
CAPACITY AT THE 6 HOUR RATE	1.265 SP. GR.	505	84.2	
CAPACITY AT THE 5 HOUR RATE	1.265 SP. GR.	478	96	
CAPACITY AT THE 4 HOUR RATE	1.265 SP. GR.	444	111	
CAPACITY AT THE 3 HOUR RATE	1.265 SP. GR.	403	134	
CAPACITY AT THE 2 HOUR RATE	1.265 SP. GR.	348	174	
CAPACITY AT THE 1 HOUR RATE	1.265 SP. GR.	246	246	



PART NUMBER: 6-CS-21P  
 WEIGHT WET: 271 LB / 123 KG  
 WEIGHT DRY: 217 LB / 98 KG  
 CAPACITY: 683 AH 20 HR  
 963 AH 100 HR  
 VOLTAGE: 6 V  
 OVERALL DIMENSIONS: 22X9 3/4X18 1/4"  
 MAX HEIGHT WITH OPTIONAL HYDROCAPS: 18 5/8" - 473 MM



BATTERY ENGINEERING SALEM, MASS

TITLE: 6CS21P

DESCRIPTION: 6V / 2 CELL 21 PLATE (CS) DEEP CYCLE 500/5000 SERIES

CONTACT INFO:  
 WEB: WWW.ROLLSBATTERY.COM  
 E-MAIL: SALES@ROLLSBATTERY.COM  
 PHONE: 1-800-681-9914

SCALE: 1" = 6" 1" = 4" JPEG NOT TO SCALE  
 8.5" X 11" 11" X 17"

Drawn by: S. WILES Approved By: D. SURRETTE

DATE: 14-JUN-00 REVISION 2.1

DRAWING NO.: DWG 006, BD6CS21P