



# DEEP CYCLE-MARINE SERIES 5000

**BATTERY TYPE** **VOLTS** **4** **4 KS 21PM**

**DIMENSIONS**

|        |        |        |        |
|--------|--------|--------|--------|
| LENGTH | 400 MM | 15 3/4 | INCHES |
| WIDTH  | 238 MM | 9 3/8  | INCHES |
| HEIGHT | 629 MM | 24 3/4 | INCHES |

|                   |        |     |      |
|-------------------|--------|-----|------|
| <b>WEIGHT DRY</b> | 98 KG  | 216 | LBS. |
| <b>WEIGHT WET</b> | 121 KG | 267 | LBS. |

**CONTAINER CONSTRUCTION**

|                 |   |
|-----------------|---|
| INNER CONTAINER | POLYPROPYLENE   |
| INNER COVER     | POLYPROPYLENE - HEAT SEALED TO INNER CONTAINER        |
| OUTER CONTAINER | HIGH DENSITY POLYETHYLENE                             |
| OUTER COVER     | HIGH DENSITY POLYETHYLENE SNAP FIT TO OUTER CONTAINER |
| HANDLES         | MOLDED  |

**PLATES PER CELL** 21

**ELECTROLYTE RESERVE** ABOVE PLATES 95 MM 3.75 INCHES

**DESIGN CRITREA** 10 YEAR WARRANTY 3300 CYCLES 15 YEAR LIFE

**POSITIVE PLATE DIMENSION**

|           |         |       |        |
|-----------|---------|-------|--------|
| HEIGHT    | 432 MM  | 17.0  | INCHES |
| WIDTH     | 143 MM  | 5.625 | INCHES |
| THICKNESS | 6.99 MM | 0.275 | INCHES |

**NEGATIVE PLATE DIMENSION**

|           |         |       |        |
|-----------|---------|-------|--------|
| HEIGHT    | 432 MM  | 17.0  | INCHES |
| WIDTH     | 143 MM  | 5.625 | INCHES |
| THICKNESS | 4.57 MM | 0.180 | INCHES |

**SEPARATOR INSULATION** SEPARATOR THICKNESS 0.105 INCH  
POSITIVE PLATE DOUBLE WRAPPED WITH SLYVER 0.020 HEAVY GLASS MAT AND ENVELOPED WITH HEAVY DUTY SEPARATOR

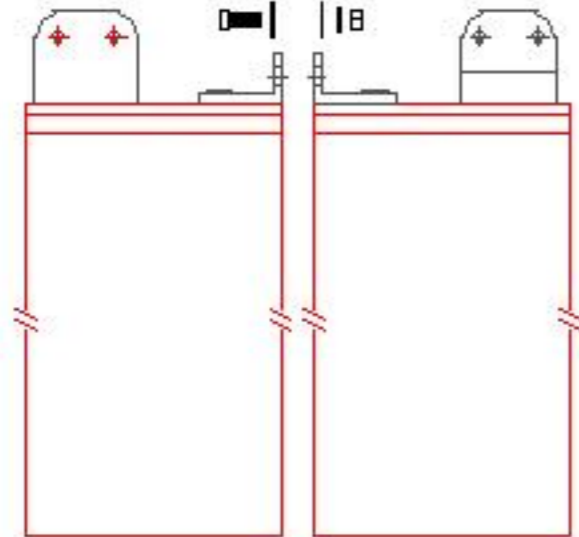
**TERMINALS** FLAG WITH STAINLESS STEEL NUTS AND BOLTS

|                   |     |               |      |                       |      |
|-------------------|-----|---------------|------|-----------------------|------|
| <b>COLD CRANK</b> | CCA | 0°F / -17.8°C | 3095 | <b>RESERVE</b>        |      |
|                   | MCA | 32°F / 0°C    | 3869 | <b>MINUTES AT 25A</b> | 3575 |

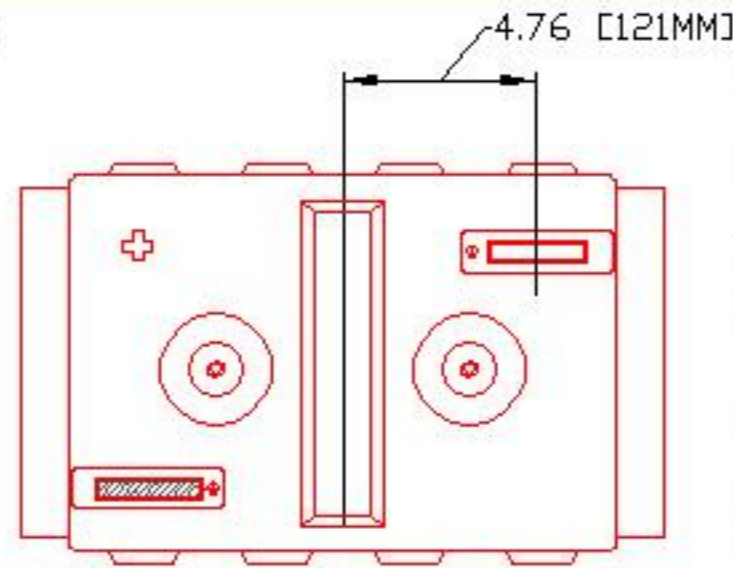
**CAPACITY** 20 HR RATE 1104

|                                     |                      | CAP / AH    | CURRENT / AMPS |
|-------------------------------------|----------------------|-------------|----------------|
| <b>CAPACITY AT THE 20 HOUR RATE</b> | <b>1.265 SP. GR.</b> | <b>1104</b> | <b>55.2</b>    |
| CAPACITY AT THE 15 HOUR RATE        | 1.265 SP. GR.        | 1038        | 69.2           |
| CAPACITY AT THE 12 HOUR RATE        | 1.265 SP. GR.        | 983         | 81.9           |
| CAPACITY AT THE 10 HOUR RATE        | 1.265 SP. GR.        | 938         | 93.8           |
| CAPACITY AT THE 8 HOUR RATE         | 1.265 SP. GR.        | 883         | 110.4          |
| CAPACITY AT THE 6 HOUR RATE         | 1.265 SP. GR.        | 817         | 136.2          |
| CAPACITY AT THE 5 HOUR RATE         | 1.265 SP. GR.        | 773         | 155            |
| CAPACITY AT THE 4 HOUR RATE         | 1.265 SP. GR.        | 718         | 179            |
| CAPACITY AT THE 3 HOUR RATE         | 1.265 SP. GR.        | 651         | 217            |
| CAPACITY AT THE 2 HOUR RATE         | 1.265 SP. GR.        | 563         | 282            |
| CAPACITY AT THE 1 HOUR RATE         | 1.265 SP. GR.        | 397         | 397            |

BOLT-ON CONNECTOR 2 X 316 SS NUT, WASHERS, LOCK WASHER AND BOLT



2.90 [74MM]

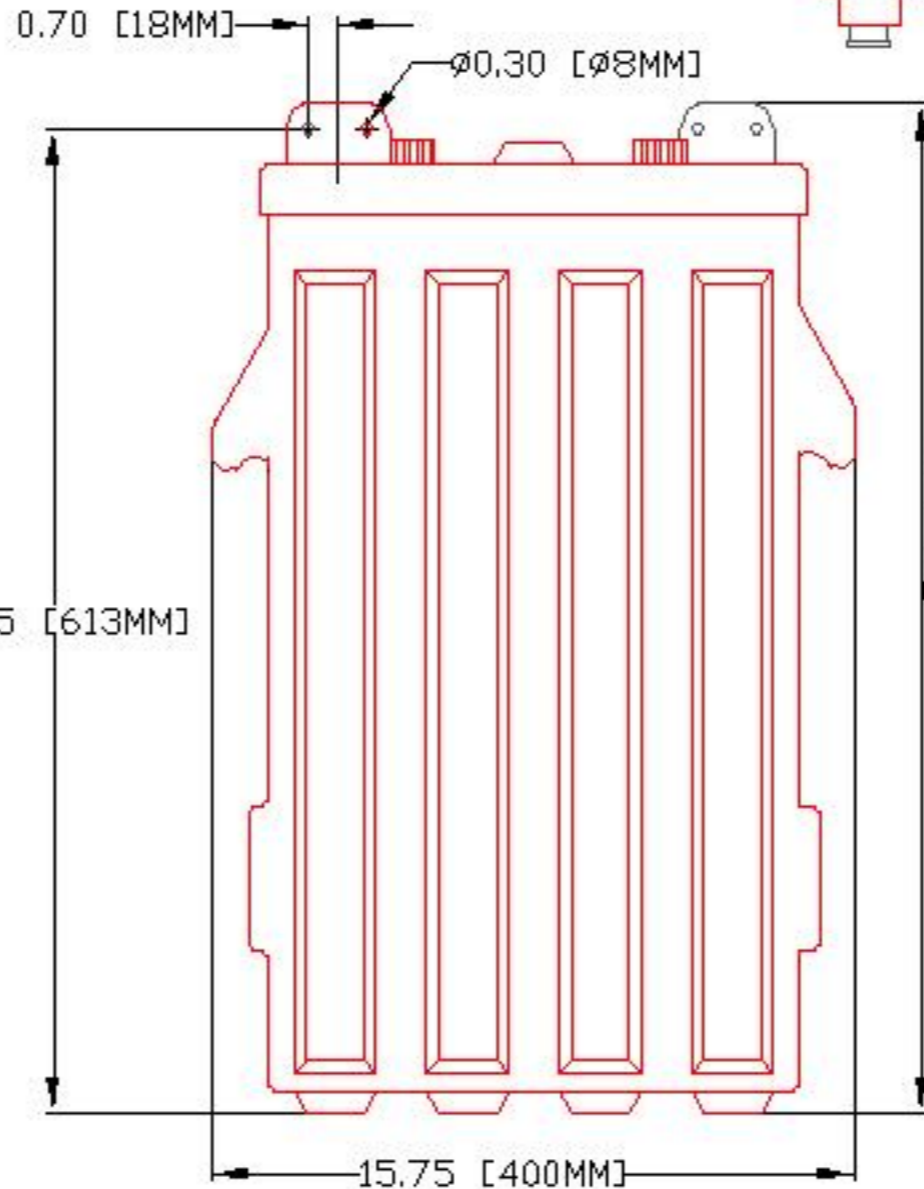


4.76 [121MM]

PART NUMBER: 4-KS-21P  
 WEIGHT WET: 267 LB / 121 KG  
 WEIGHT DRY: 186 LB / 84 KG  
 CAPACITY: 1,104 AH 20 HR  
 1,557 AH 100 HR  
 VOLTAGE: 4 V  
 OVERALL DIMENSIONS: 15.75X9 3/8X24.75"  
 MAX HEIGHT WITH OPTIONAL HYDROCAPS 25.13" / 638 MM



9.38 [238MM]



0.70 [18MM]

0.30 [ø8MM]

24.15 [613MM]

15.75 [400MM]

24.75 [629MM]



BATTERY ENGINEERING  
 SPRINGHILL, NOVA SCOTIA, CANADA

TITLE:  
 4KS21P

DESCRIPTION:  
 4V / 2 CELL 21 PLATE (KS) DEEP CYCLE  
 500/5000 SERIES

CONTACT INFO:  
 WEB: WWW.ROLLSBATTERY.COM  
 E-MAIL: SALES@ROLLSBATTERY.COM  
 PHONE: 1-800-681-9914

SCALE: 1" = 6" 1" = 4" JPEG  
 8.5" X 11" 11" X 17" NOT TO SCALE

Drawn by: S. WILES Approved By: D. SURRETTE

DATE: 12-APR-02 REVISION: 2.2

DRAWING NO.: DWG 002, BD4KS21P