



# DEEP CYCLE-MARINE SERIES 5000

**BATTERY TYPE** **VOLTS** **4** **4 CS 17PM**

**DIMENSIONS**

LENGTH	365 MM	14 3/8	INCHES
WIDTH	210 MM	8 1/4	INCHES
HEIGHT	464 MM	18 1/4	INCHES

<b>WEIGHT DRY</b>	45 KG	98	LBS.
<b>WEIGHT WET</b>	58 KG	128	LBS.

**CONTAINER CONSTRUCTION**

INNER CONTAINER	POLYPROPYLENE
INNER COVER	POLYPROPYLENE - HEAT SEALED TO INNER CONTAINER
OUTER CONTAINER	HIGH DENSITY POLYETHYLENE
OUTER COVER	HIGH DENSITY POLYETHYLENE SNAP FIT TO OUTER CONTAINER
HANDLES	ROPE

**PLATES PER CELL** 17

**ELECTROLYTE RESERVE** ABOVE PLATES 95 MM 3.75 INCHES

**DESIGN CRITREA** 10 YEAR WARRANTY 3300 CYCLES 15 YEAR LIFE

**POSITIVE PLATE DIMENSION**

HEIGHT	273 MM	10.75	INCHES
WIDTH	143 MM	5.625	INCHES
THICKNESS	6.73 MM	0.265	INCHES

**NEGATIVE PLATE DIMENSION**

HEIGHT	273 MM	10.75	INCHES
WIDTH	143 MM	5.625	INCHES
THICKNESS	4.70 MM	0.185	INCHES

**SEPARATOR INSULATION** SEPARATOR THICKNESS 0.105 INCH  
 POSITIVE PLATE DOUBLE WRAPPED WITH SLYVER 0.020 HEAVY GLASS MAT AND ENVELOPED WITH HEAVY DUTY SEPARATOR

**TERMINALS** FLAG WITH STAINLESS STEEL NUTS AND BOLTS

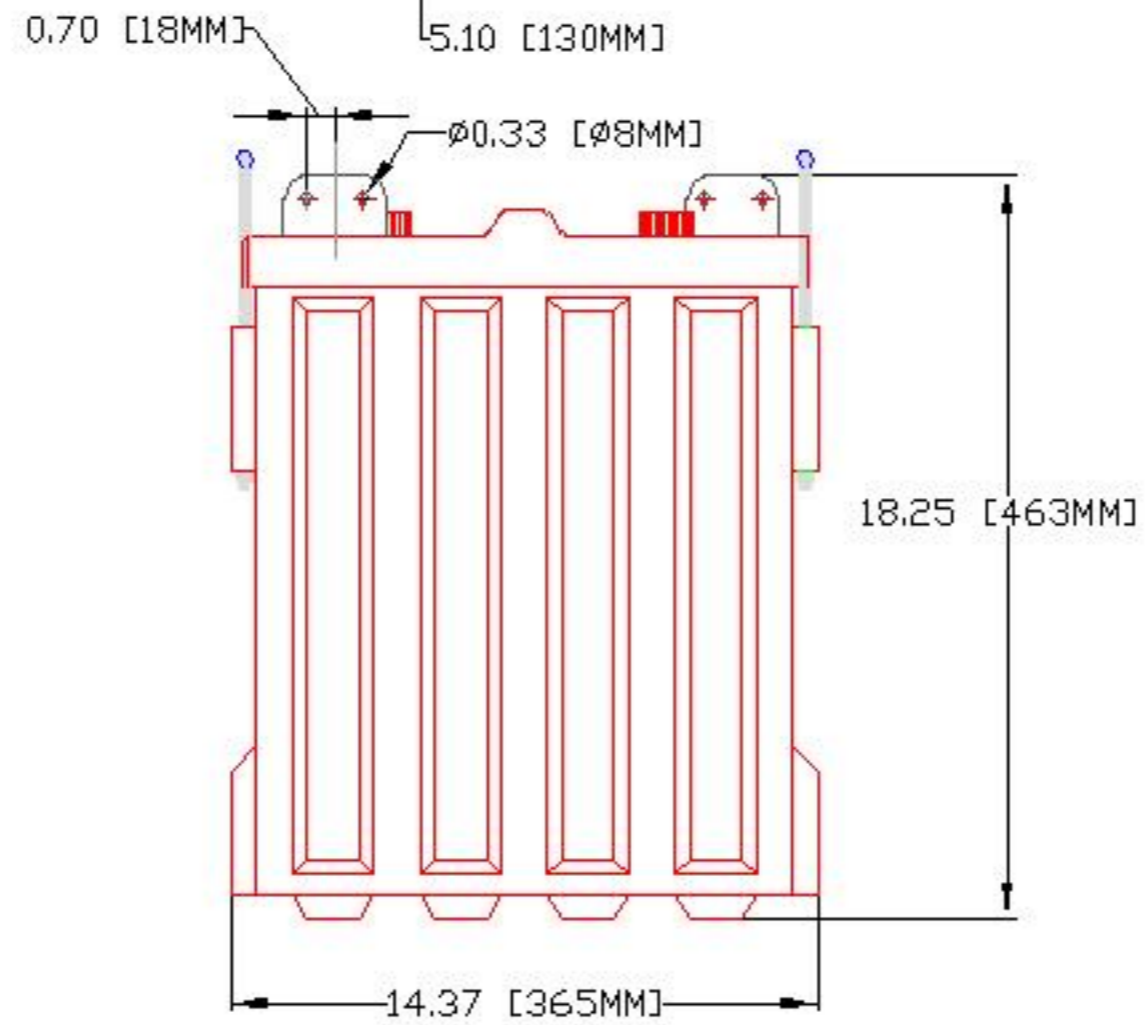
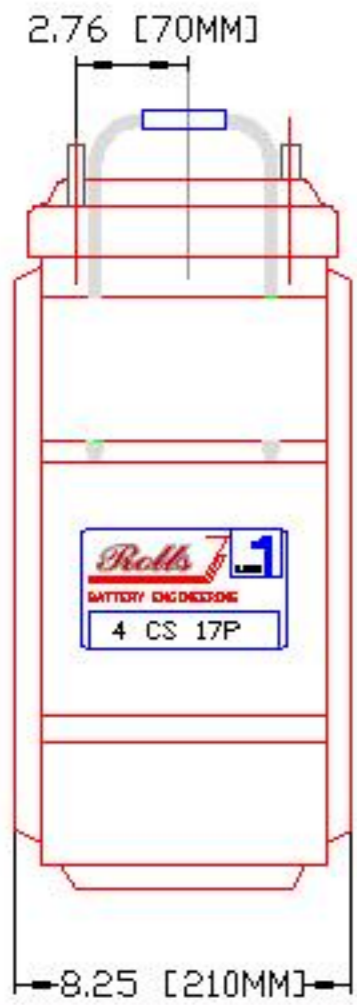
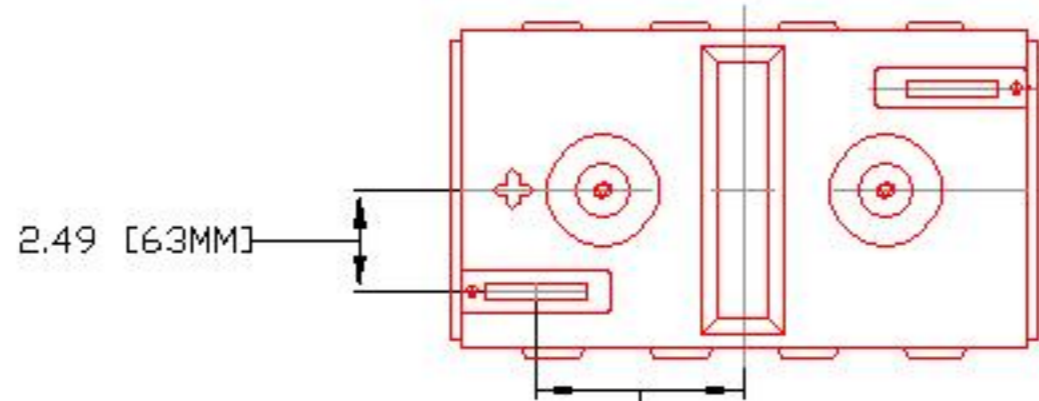
<b>COLD CRANK</b>	CCA	0°F / -17.8°C	1689	<b>RESERVE</b>	
	MCA	32°F / 0°C	2111	<b>MINUTES AT 25A</b>	1083

**CAPACITY** 20 HR RATE 546

		CAP / AH	CURRENT / AMPS
<b>CAPACITY AT THE 20 HOUR RATE</b>	<b>1.265 SP. GR.</b>	<b>546</b>	<b>27.3</b>
CAPACITY AT THE 15 HOUR RATE	1.265 SP. GR.	513	34.2
CAPACITY AT THE 12 HOUR RATE	1.265 SP. GR.	486	40.5
CAPACITY AT THE 10 HOUR RATE	1.265 SP. GR.	464	46.4
CAPACITY AT THE 8 HOUR RATE	1.265 SP. GR.	437	54.6
CAPACITY AT THE 6 HOUR RATE	1.265 SP. GR.	404	67.3
CAPACITY AT THE 5 HOUR RATE	1.265 SP. GR.	382	76
CAPACITY AT THE 4 HOUR RATE	1.265 SP. GR.	355	89
CAPACITY AT THE 3 HOUR RATE	1.265 SP. GR.	322	107
CAPACITY AT THE 2 HOUR RATE	1.265 SP. GR.	278	139
CAPACITY AT THE 1 HOUR RATE	1.265 SP. GR.	197	197



PART NUMBER: 4-CS-17P  
 WEIGHT WET: 128 LB / 58 KG  
 WEIGHT DRY: 98 LB / 44 KG  
 CAPACITY: 546 AH 20 HR  
 770 AH 100 HR  
 VOLTAGE: 4 V  
 OVERALL DIMENSIONS: 143/8X8 1/4X18 1/4"  
 MAX HEIGHT WITH OPTIONAL HYDROCAPS: 18.63"/473MM



BATTERY ENGINEERING SALEM, MASS

TITLE: 4CS17P

DESCRIPTION: 4V / E CELL 17 PLATE (CS) DEEP CYCLE 500/5000 SERIES

CONTACT INFO:  
 WEB: WWW.ROLLSBATTERY.COM  
 E-MAIL: SALES@ROLLSBATTERY.COM  
 PHONE: 1-800-681-9914

SCALE: 1" = 6" 1" = 4" JPEG  
 8.5" X 11" 11" X 17" NOT TO SCALE

Drawn by: S. WILES Approved By: D. SURRETTE

DATE: 1-AUG-00 REVISION 2.1

DRAWING NO.: DWG 027, BD4CS17P