



DEEP CYCLE-MARINE SERIES 5000

BATTERY TYPE VOLTS 2 **2 YS 31PM**

DIMENSIONS

| | | | |
|--------|--------|--------|--------|
| LENGTH | 394 MM | 15 1/2 | INCHES |
| WIDTH | 229 MM | 9 | INCHES |
| HEIGHT | 803 MM | 31 5/8 | INCHES |

| | | | |
|-------------------|--------|-----|------|
| WEIGHT DRY | 130 KG | 285 | LBS. |
| WEIGHT WET | 91 KG | 200 | LBS. |

CONTAINER CONSTRUCTION

| | |
|-----------------|---|
| INNER CONTAINER | POLYPROPYLENE |
| INNER COVER | POLYPROPYLENE - HEAT SEALED TO INNER CONTAINER |
| OUTER CONTAINER | HIGH DENSITY POLYETHYLENE |
| OUTER COVER | HIGH DENSITY POLYETHYLENE SNAP FIT TO OUTER CONTAINER |
| HANDLES | MOLDED |

PLATES PER CELL 31

ELECTROLYTE RESERVE ABOVE PLATES 95 MM 3.75 INCHES

DESIGN CRITREA 10 YEAR WARRANTY 3300 CYCLES 15 YEAR LIFE

POSITIVE PLATE DIMENSION

| | | | |
|-----------|---------|--------|--------|
| HEIGHT | 600 MM | 23 5/8 | INCHES |
| WIDTH | 143 MM | 5.625 | INCHES |
| THICKNESS | 6.99 MM | 0.275 | INCHES |

NEGATIVE PLATE DIMENSION

| | | | |
|-----------|---------|--------|--------|
| HEIGHT | 600 MM | 23 5/8 | INCHES |
| WIDTH | 143 MM | 5.625 | INCHES |
| THICKNESS | 4.57 MM | 0.180 | INCHES |

SEPARATOR SEPARATOR THICKNESS 0.120 INCH

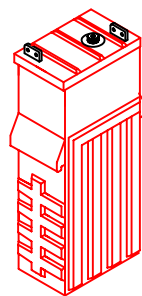
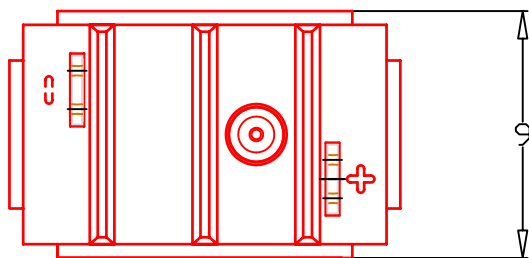
INSULATION POSITIVE PLATE DOUBLE WRAPPED WITH SLYVER 0.020 HEAVY GLASS MAT AND ENVELOPED WITH HEAVY DUTY SEPARATOR

TERMINALS FLAG WITH STAINLESS STEEL NUTS AND BOLTS

| | | | | | |
|-------------------|-----|---------------|------|-----------------------|------|
| COLD CRANK | CCA | 0°F / -17.8°C | 5740 | RESERVE | |
| | MCA | 32°F / 0°C | 7175 | MINUTES AT 25A | 7772 |

CAPACITY 20 HR RATE 2430

| | | CAP / AH | CURRENT / AMPS |
|-------------------------------------|----------------------|-------------|----------------|
| CAPACITY AT THE 20 HOUR RATE | 1.265 SP. GR. | 2430 | 121.5 |
| CAPACITY AT THE 15 HOUR RATE | 1.265 SP. GR. | 2284 | 152.3 |
| CAPACITY AT THE 12 HOUR RATE | 1.265 SP. GR. | 2163 | 180.2 |
| CAPACITY AT THE 10 HOUR RATE | 1.265 SP. GR. | 2066 | 206.6 |
| CAPACITY AT THE 8 HOUR RATE | 1.265 SP. GR. | 1944 | 243.0 |
| CAPACITY AT THE 6 HOUR RATE | 1.265 SP. GR. | 1798 | 299.7 |
| CAPACITY AT THE 5 HOUR RATE | 1.265 SP. GR. | 1701 | 340 |
| CAPACITY AT THE 4 HOUR RATE | 1.265 SP. GR. | 1580 | 395 |
| CAPACITY AT THE 3 HOUR RATE | 1.265 SP. GR. | 1434 | 478 |
| CAPACITY AT THE 2 HOUR RATE | 1.265 SP. GR. | 1239 | 620 |
| CAPACITY AT THE 1 HOUR RATE | 1.265 SP. GR. | 875 | 875 |



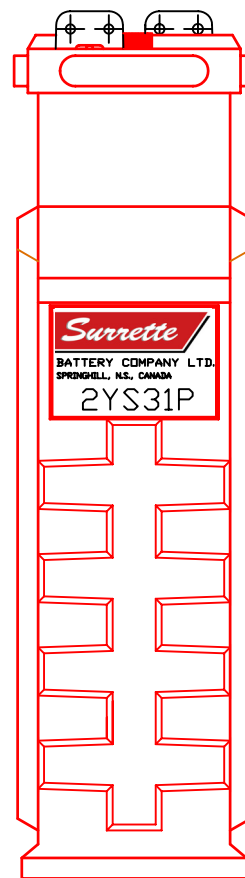
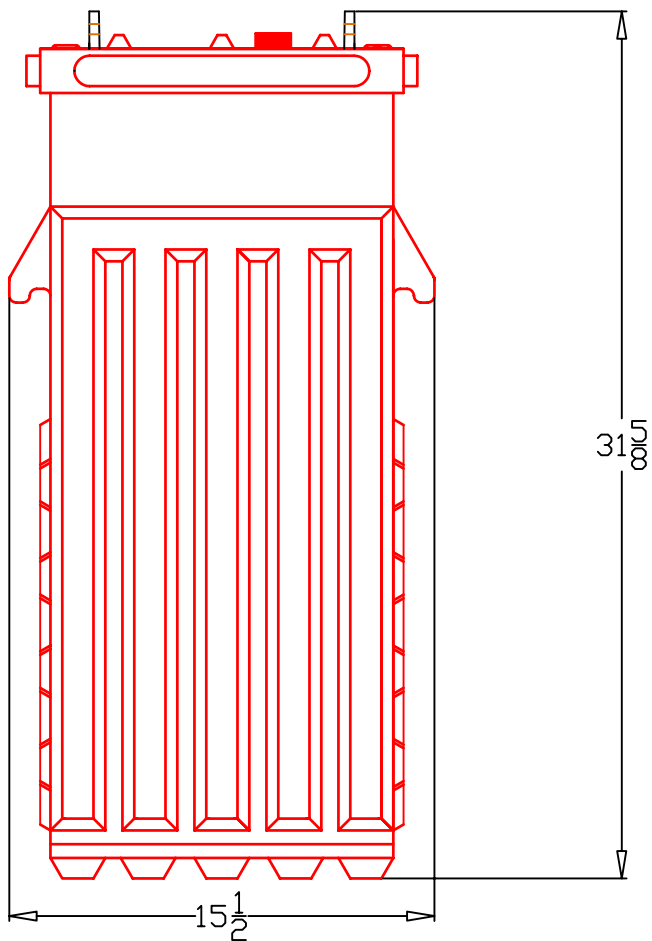
PART NUMBER: 2-YS-31P

WEIGHT WET EST: 285 LB/ 130 KG
(ESTIMATED)

WEIGHT EST: 200 LB/ 91 KG
(ESTIAMTED)

CAPACITY 1,993 AH 8 HR
2,430 AH 20 HR
3,435 AH 100 HR

OVERALL DIMS: 15½ X 9" X 31½ "



MAX HT WITH OPTIONAL 32½"
HYDROCAPS

AVAILABLE JUL-06



BATTERY COMPANY LTD.
SPRINGHILL, NOVA SCOTIA, CANADA

TITLE: 2 YS 31P

DESCRIPTION:
2V / 1 CELL 31 PLATE 500/5000 SERIES

CONTACT INFO:
WEB: WWW.SURRETTE.COM
E-MAIL: SALES@SURRETTE.COM
PHONE: 1-800-681-9914

SCALE: 1" = 7" JPEG:
8.5" X 11" NOT TO SCALE

DATE: 16-MAR-06 REVISION REV 0

DRAWING NO.: BD2YS31P