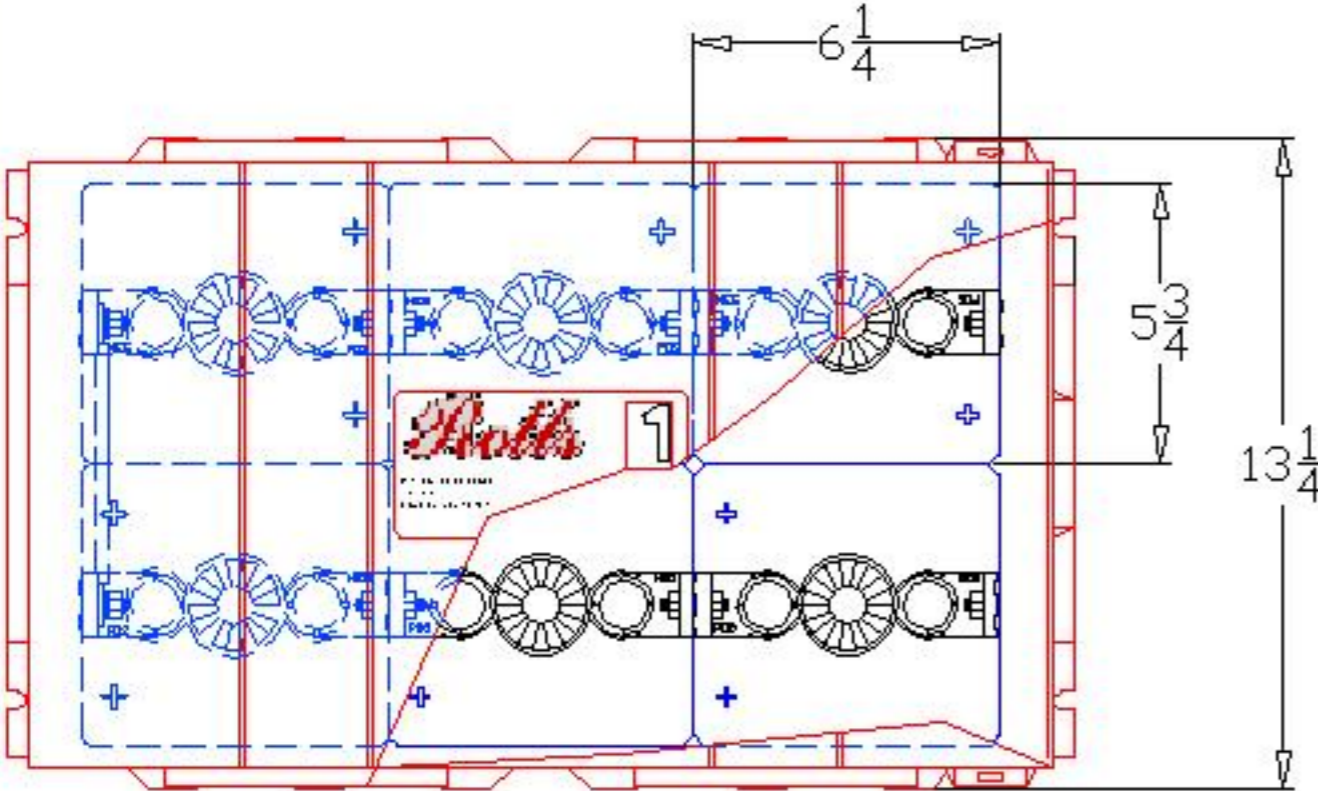




# DEEP CYCLE-MARINE SERIES 4000

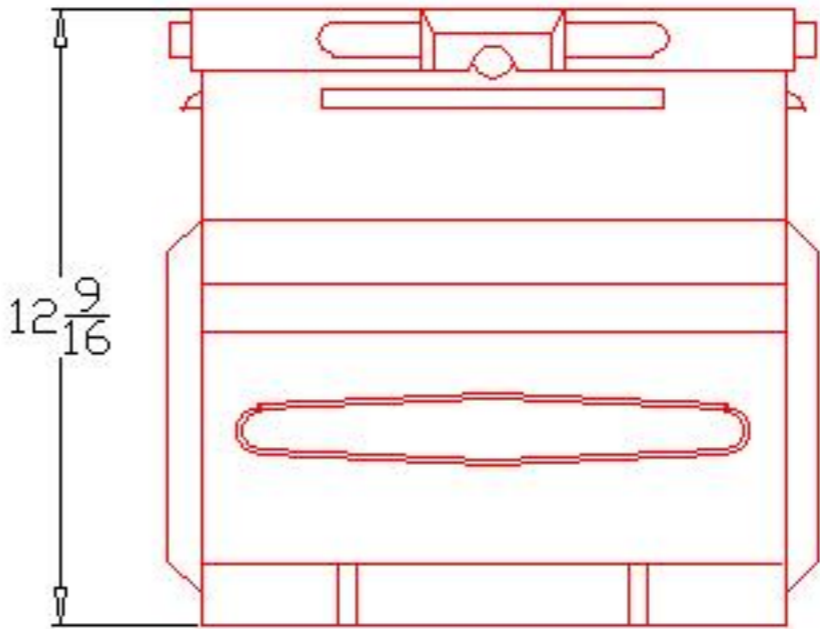
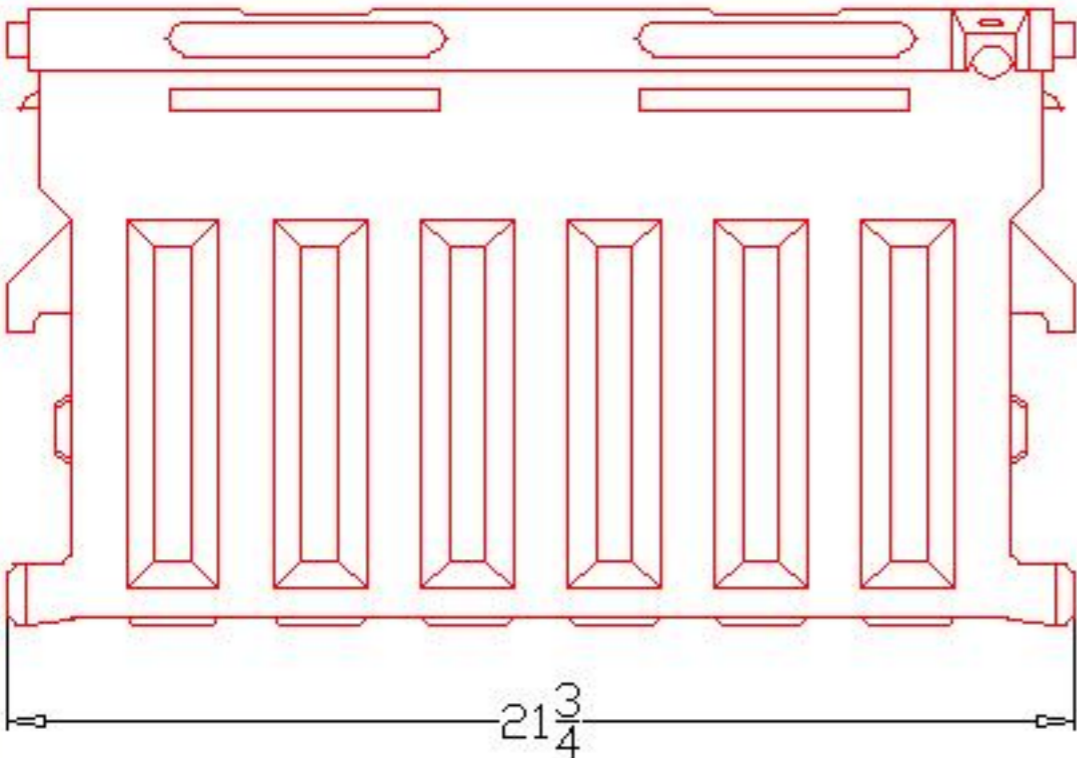
<b>BATTERY TYPE</b>	<b>VOLTS</b>	<b>12</b>	<b>12 EHG 375PM</b>	
<b>DIMENSIONS</b>				
LENGTH			552 MM	21 3/4 INCHES
WIDTH			337 MM	13 1/4 INCHES
HEIGHT			310 MM	12 3/16 INCHES
<b>WEIGHT DRY</b>			78 KG	171 LBS.
<b>WEIGHT WET</b>			105 KG	230 LBS.
<b>CONTAINER CONSTRUCTION</b>				
CONTAINER			POLYPROPYLENE	
COVER			POLYPROPYLENE	
HANDLES			MOLDED	
SPECIAL			6 REMOVALABLE BOLT-TOGETHER CELLS IN TALL 8D BATTERY BOX	
<b>PLATES PER CELL</b>			25	
<b>ELECTROLYTE RESERVE</b>	ABOVE PLATES		57 MM	2.25 INCHES
<b>DESIGN CRITREA</b>	7 YEAR WARRANTY	1300CYCLES	10	YEAR LIFE
<b>POSITIVE PLATE DIMENSION</b>				
HEIGHT			152 MM	6.00 INCHES
WIDTH			143 MM	5.625 INCHES
THICKNESS			3.56 MM	0.140 INCHES
<b>NEGATIVE PLATE DIMENSION</b>				
HEIGHT			152 MM	6.00 INCHES
WIDTH			143 MM	5.625 INCHES
THICKNESS			3.05 MM	0.120 INCHES
<b>SEPARATOR</b>	SEPARATOR THICKNESS		0.061 INCH	
<b>INSULATION</b>	0.020" GLASS MAT			
<b>TERMINALS</b>	BOLT ON - STANDARD			
<b>COLD CRANK</b>	CCA	0°F / -17.8°C	1530	<b>RESERV</b>
	MCA	32°F / 0°C	1913	<b>MINUTES AT 25A</b>
				775
<b>CAPACITY</b>	20 HR RATE		375	
			CAP / AH	CURRENT / AMPS
<b>CAPACITY AT THE 20 HOUR RATE</b>	<b>1.265 SP. GR.</b>		<b>375</b>	<b>18.8</b>
CAPACITY AT THE 15 HOUR RATE	1.265 SP. GR.		353	23.5
CAPACITY AT THE 12 HOUR RATE	1.265 SP. GR.		334	27.8
CAPACITY AT THE 10 HOUR RATE	1.265 SP. GR.		319	31.9
CAPACITY AT THE 8 HOUR RATE	1.265 SP. GR.		300	37.5
CAPACITY AT THE 6 HOUR RATE	1.265 SP. GR.		278	46.3
CAPACITY AT THE 5 HOUR RATE	1.265 SP. GR.		263	53
CAPACITY AT THE 4 HOUR RATE	1.265 SP. GR.		244	61
CAPACITY AT THE 3 HOUR RATE	1.265 SP. GR.		221	74
CAPACITY AT THE 2 HOUR RATE	1.265 SP. GR.		191	96
CAPACITY AT THE 1 HOUR RATE	1.265 SP. GR.		135	135

LOW MAINTENANCE  
ONE YEAR WATERING CYCLE



PART NUMBER:	12EHG375
APPROX. WT WET:	230 LB / 104 KG
APPROX. WT DRY:	171 LB / 78 KG
INDIVIDUAL CELL WT:	35 LB / 15.8 KG
CC/32°F, 0°C	1,914 A
CCA/ 0°F, -18°C	1,530 A
CAPACITY	375 AH 20 HR
RES (MIN@25AMP):	775
VOLTAGE:	12 V
OVERALL DIM:	21 3/4 X 13 1/4 X 12 9/16 (HIGH CUT)
SINGLE CELL DIM:	6 1/4 X 5 3/4 X 11 1/2 (TOP OF HYDROCAP)
STANDARD:	HYDROCAPS & BOLT-ON CONNECTORS

COAST GUARD APPROVED CONTAINER  
WHEN CORRECTLY INSTALLED



**BATTERY ENGINEERING**  
SALEM, MASS, USA

TITLE  
12EHG375

DESCRIPTION:  
12V DEEP CYCLE SERIES 400/4000

CONTACT INFO  
WEB: WWW.ROLLSBATTERY.COM  
E-MAIL: SALES@ROLLSBATTERY.COM  
PHONE: 1-800-681-9914

SCALE: 1" = 5" JPE6:  
6.5" X 11" NOT TO SCALE

DATE: OCT-03 REVISION REV. 0

DRAWING NO:  
DWG060, BD-12EHG375P