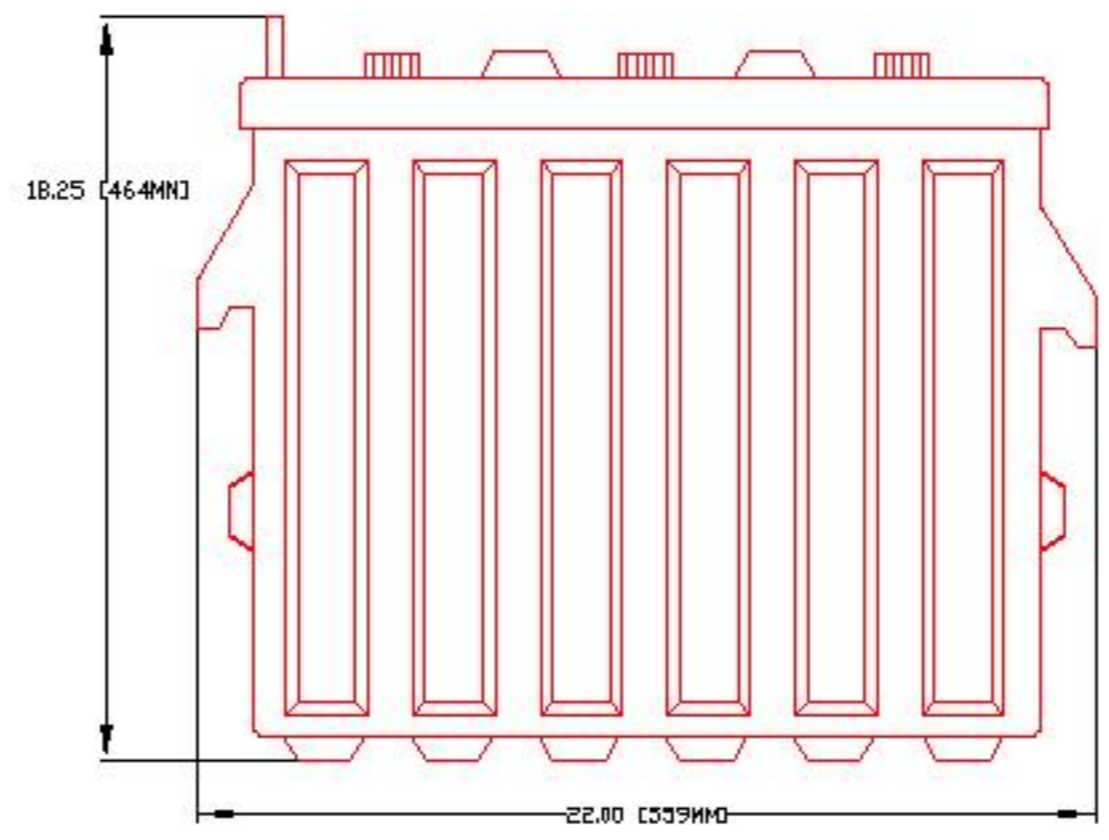
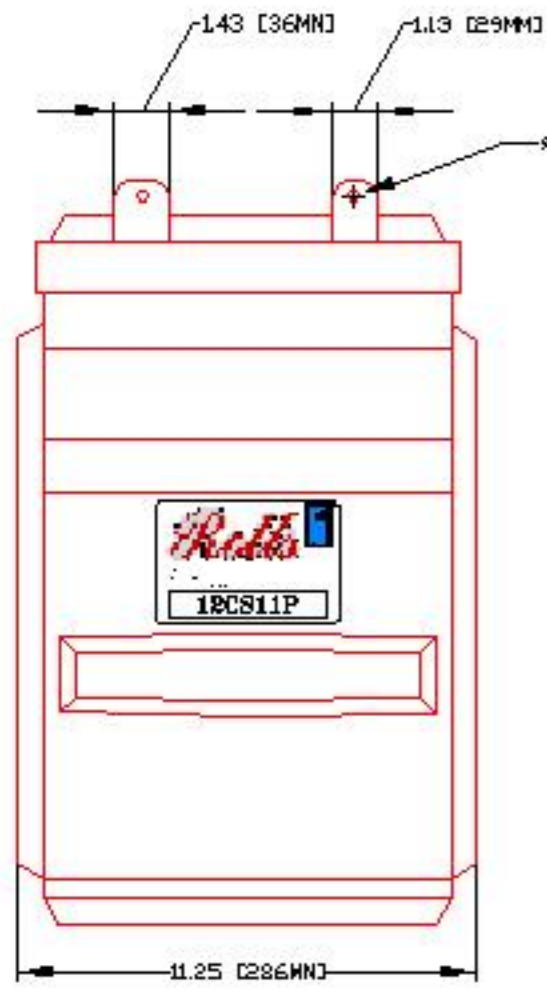
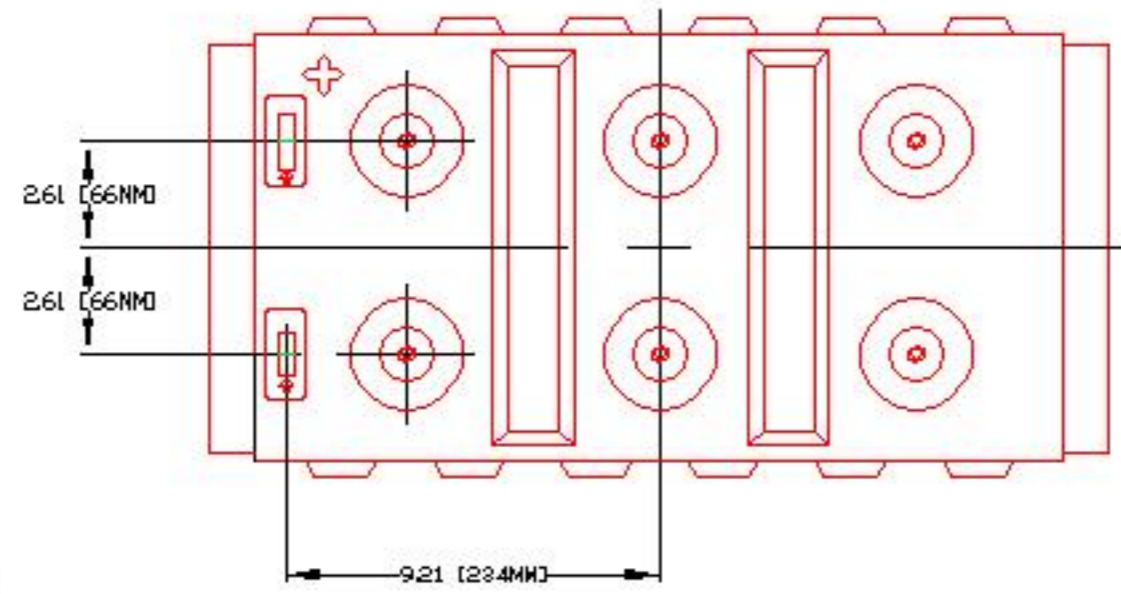




DEEP CYCLE-MARINE SERIES 5000

BATTERY TYPE	VOLTS	12	12 CS 11PM	
DIMENSIONS				
LENGTH		559 MM	22	INCHES
WIDTH		286 MM	11 1/4	INCHES
HEIGHT		464 MM	18 1/4	INCHES
WEIGHT DRY		100 KG	220	LBS.
WEIGHT WET		124 KG	272	LBS.
CONTAINER CONSTRUCTION				
INNER CONTAINER		POLYPROPYLENE		
INNER COVER		POLYPROPYLENE - HEAT SEALED TO INNER CONTAINER		
OUTER CONTAINER		HIGH DENSITY POLYETHYLENE		
OUTER COVER		HIGH DENSITY POLYETHYLENE SNAP FIT TO CONTAINER		
HANDLES		MOLDED		
PLATES PER CELL		11		
ELECTROLYTE RESERVE	ABOVE PLATES	95 MM	3.75	INCHES
DESIGN CRITREA	10 YEAR WARRANTY	3300	CYCLES	15 YEAR LIFE
POSITIVE PLATE DIMENSION				
HEIGHT		273 MM	10.750	INCHES
WIDTH		143 MM	5.625	INCHES
THICKNESS		6.73 MM	0.265	INCHES
NEGATIVE PLATE DIMENSION				
HEIGHT		273 MM	10.750	INCHES
WIDTH		143 MM	5.625	INCHES
THICKNESS		4.70 MM	0.185	INCHES
SEPARATOR	SEPARATOR THICKNESS	0.105 INCH		
INSULATION	POSITIVE PLATE ENVELOPED BY VERTICAL SLYVER GLASS MAT			
TERMINALS	FLAG WITH STAINLESS STEEL NUTS AND BOLTS			
COLD CRANK	CCA	0°F / -17.8°C	845	RESERVE
	MCA	32°F / 0°C	1056	MINUTES AT 25A
				677
CAPACITY	20 HR RATE	357		
		CAP / AH	CURRENT / AMPS	
CAPACITY AT THE 20 HOUR RATE	1.265 SP. GR.	357	17.9	
CAPACITY AT THE 15 HOUR RATE	1.265 SP. GR.	336	22.4	
CAPACITY AT THE 12 HOUR RATE	1.265 SP. GR.	318	26.5	
CAPACITY AT THE 10 HOUR RATE	1.265 SP. GR.	303	30.3	
CAPACITY AT THE 8 HOUR RATE	1.265 SP. GR.	286	35.7	
CAPACITY AT THE 6 HOUR RATE	1.265 SP. GR.	264	44.0	
CAPACITY AT THE 5 HOUR RATE	1.265 SP. GR.	250	50	
CAPACITY AT THE 4 HOUR RATE	1.265 SP. GR.	232	58	
CAPACITY AT THE 3 HOUR RATE	1.265 SP. GR.	211	70	
CAPACITY AT THE 2 HOUR RATE	1.265 SP. GR.	182	91	
CAPACITY AT THE 1 HOUR RATE	1.265 SP. GR.	129	129	

PART NUMBER: 12-CS-11P
 WEIGHT WET: 272 LB/ 124 KG
 WEIGHT DRY: 220 LB/ 100 KG
 CAPACITY: 357 AH 20 HR
 503 AH 100 HR
 VOLTAGE: 12 V
 OVERALL DIMENSIONS: 22X 11 1/4X 18 1/4"
 MAX HEIGHT WITH OPTIONAL HYDROCAPS: 18.63"/ 473MM



TITLE: 12CS11P

DESCRIPTION: 12V / 6 CELL 11 PLATE (CS) DEEP CYCLE 500/5000 SERIES

CONTACT INFO:
 WEB: WWW.ROLLSBATTERY.COM
 E-MAIL: SALES@ROLLSBATTERY.COM
 PHONE: 1-800-681-9914

SCALE: 1" = 6" 1" = 4" JPEG NOT TO SCALE
 8.5" X 11" 11" X 17"

Drawn by: S. WILES Approved By: D. SURRETTE

DATE: 16-Feb-01 REVISION 1.1

DRAWING NO.: DWG 018, BD12CS11P