

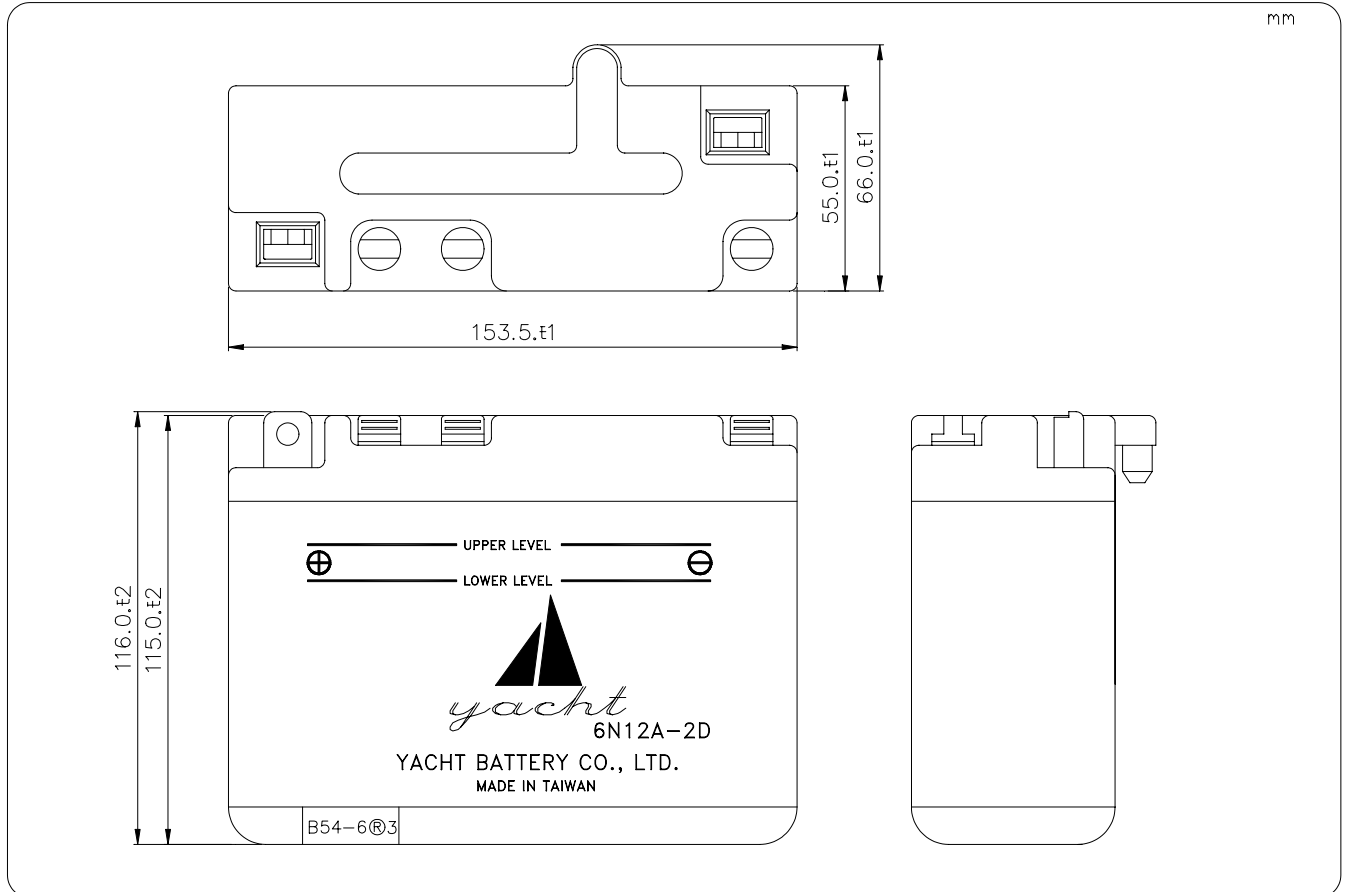
MOTORCYCLE LEAD-ACID BATTERY

6N12A-2D

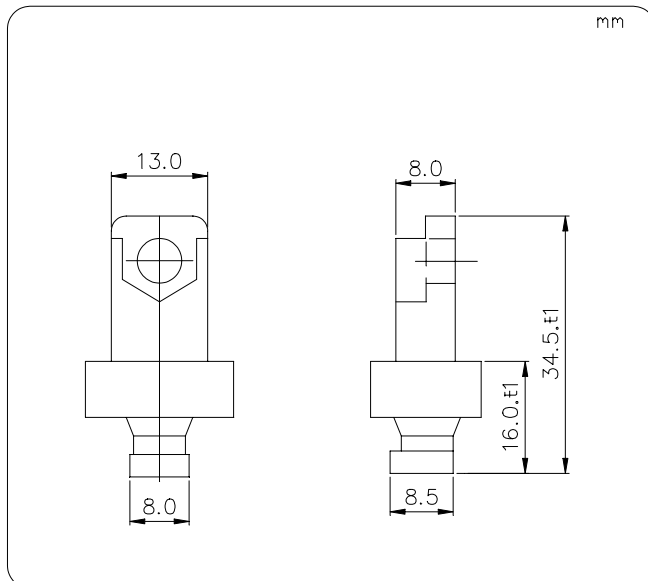
6V 12Ah

TYPE		6N12A-2D	
NOMINAL VOLTAGE		6V	
NOMINAL CAPACITY		12AH/10HR	
DIMENSIONS			
LENGTH	153.5 mm	TOTAL LENGTH	153.5 mm
WIDTH	55.0 mm	TOTAL WIDTH	66.0 mm
HEIGHT	115.0 mm	TOTAL HEIGHT	116.0 mm
WEIGHT		APPROX. 1.5 KGS	

Dimension



Terminal



Screw

