

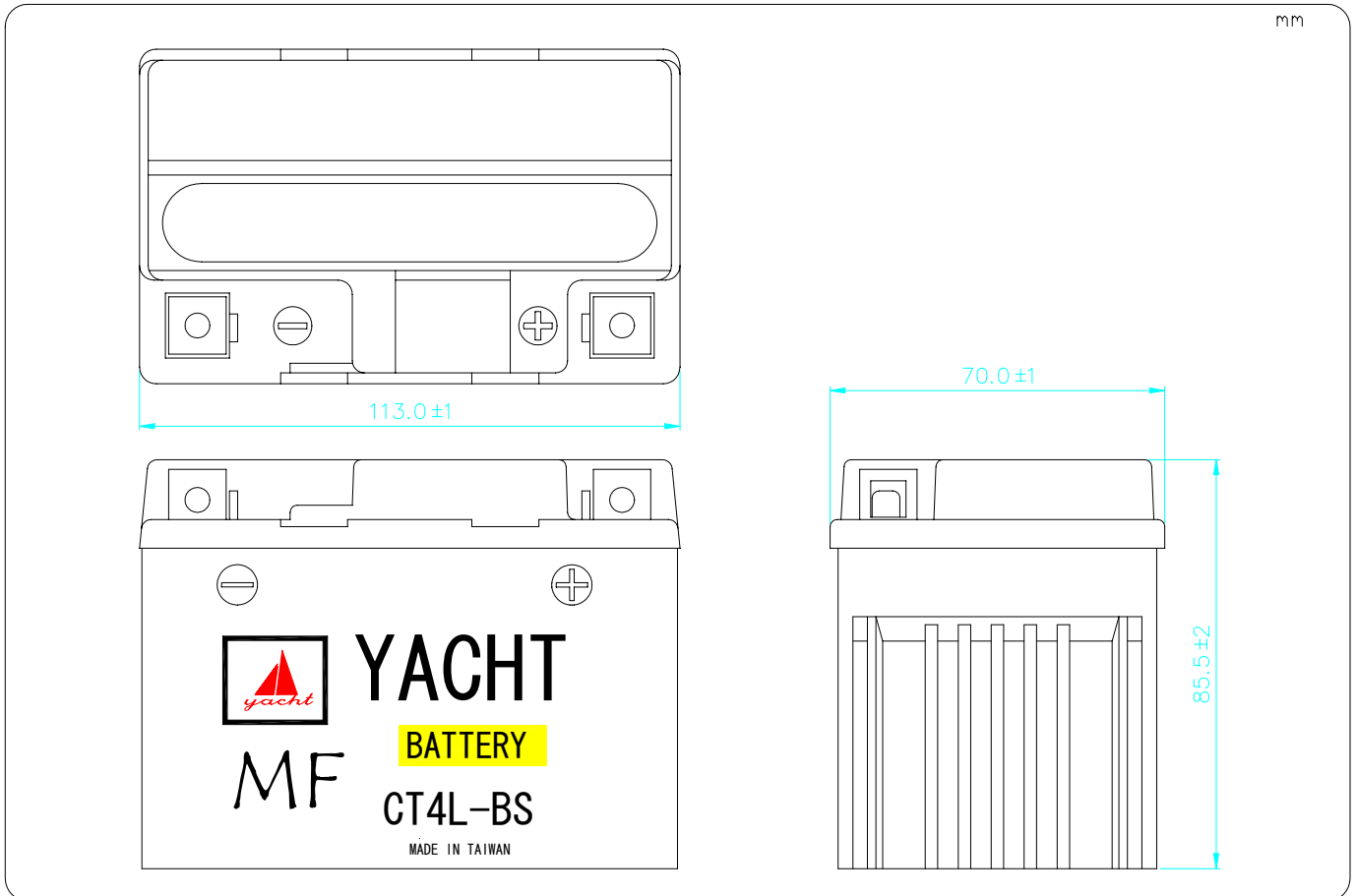
MOTORCYCLE LEAD-ACID BATTERY

CT4L-BS

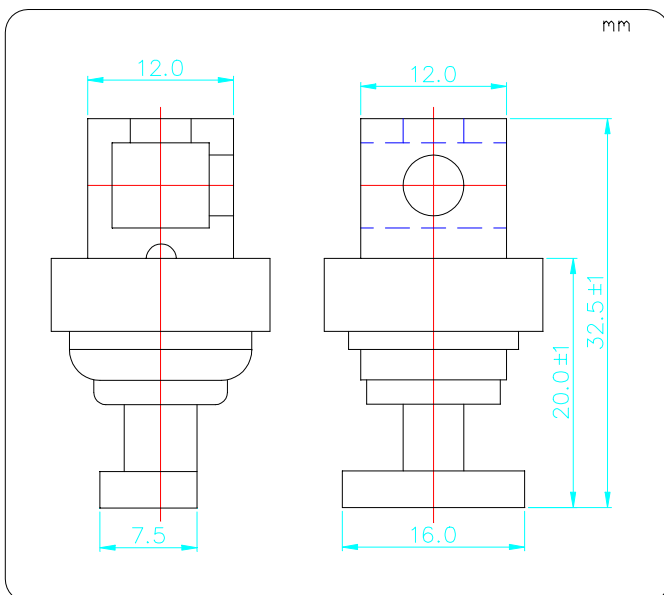
12V 3Ah

TYPE		CT4L-BS	
NOMINAL VOLTAGE		12V	
NOMINAL CAPACITY		3AH/10HR	
DIMENSIONS			
LENGTH	113.0 mm	TOTAL LENGTH	113.0 mm
WIDTH	70.0 mm	TOTAL WIDTH	70.0 mm
HEIGHT	85.5 mm	TOTAL HEIGHT	85.5 mm
WEIGHT		APPROX. 1.2 KGS	

Dimension



Terminal



Screw

