

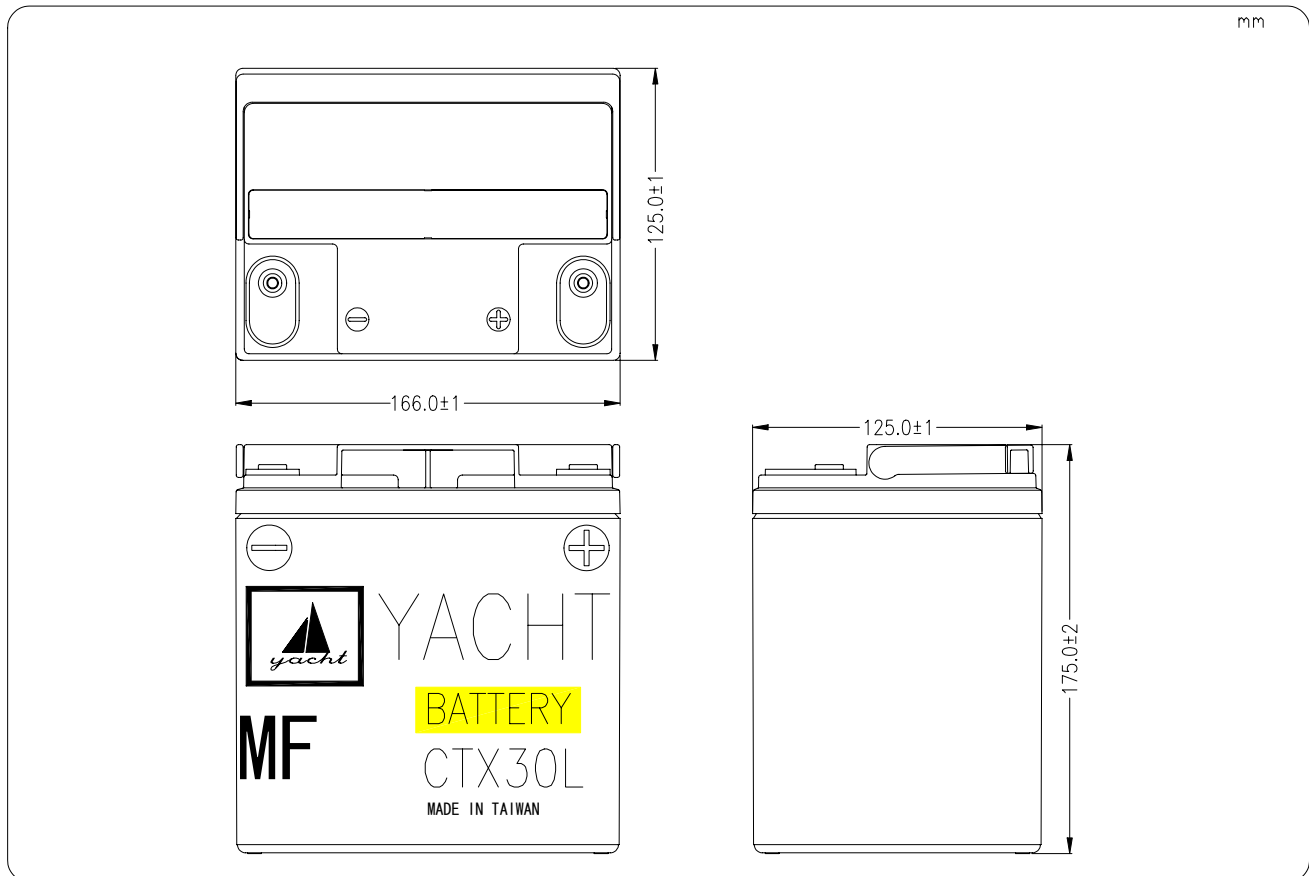
MOTORCYCLE LEAD-ACID BATTERY

CTX30L

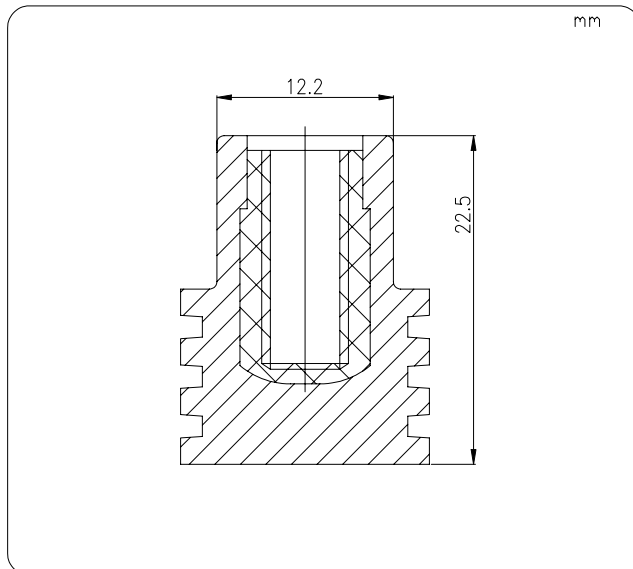
12V 28Ah

TYPE		CTX30L	
NOMINAL VOLTAGE		12V	
NOMINAL CAPACITY		28AH/10HR	
DIMENSIONS			
LENGTH	166.0 mm	TOTAL LENGTH	166.0 mm
WIDTH	125.0 mm	TOTAL WIDTH	125.0 mm
HEIGHT	175.0 mm	TOTAL HEIGHT	175.0 mm
WEIGHT		APPROX. 10.2 KGS	

Dimension



Terminal



Screw

