

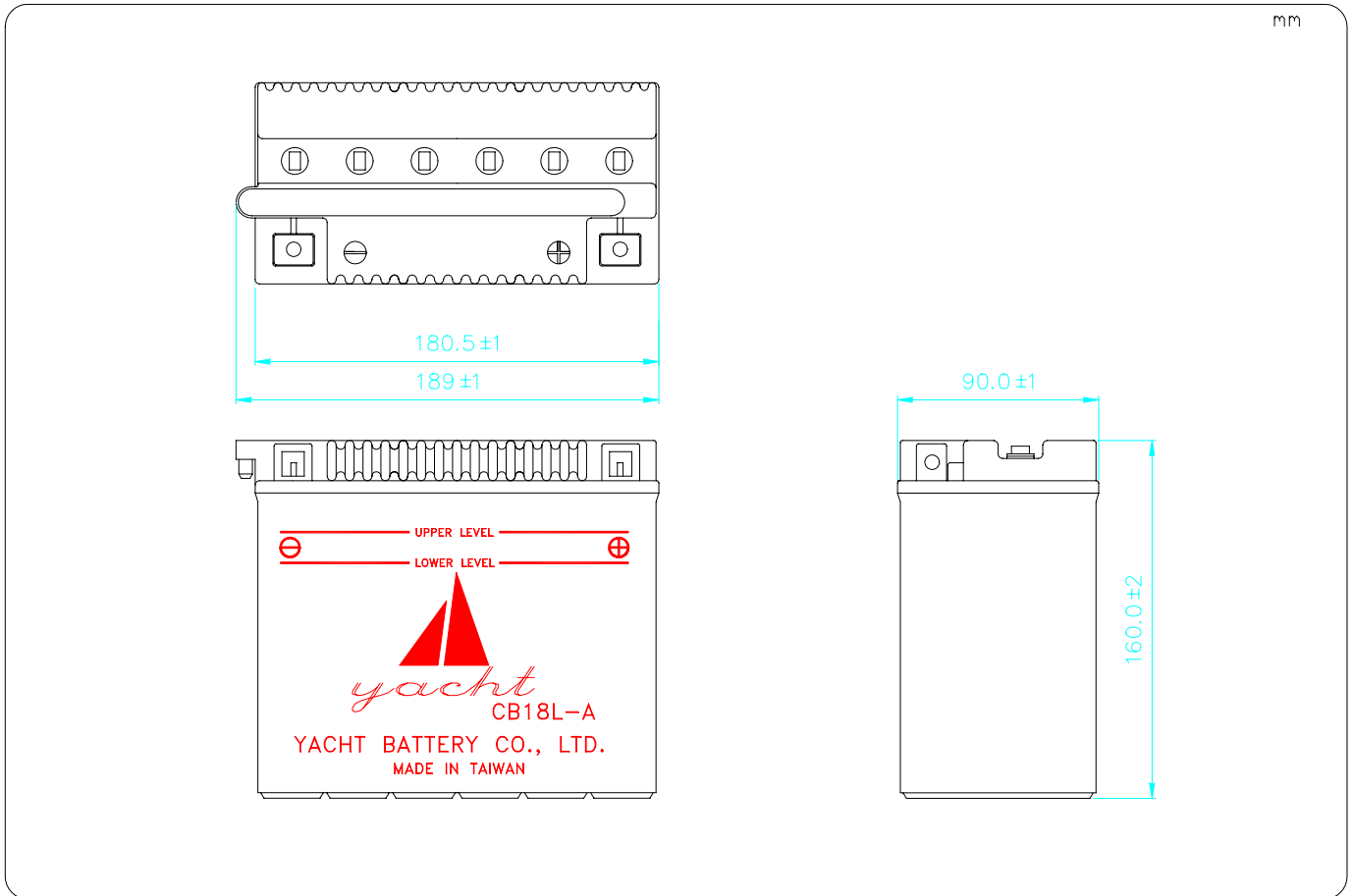
MOTORCYCLE LEAD-ACID BATTERY

CB18L-A

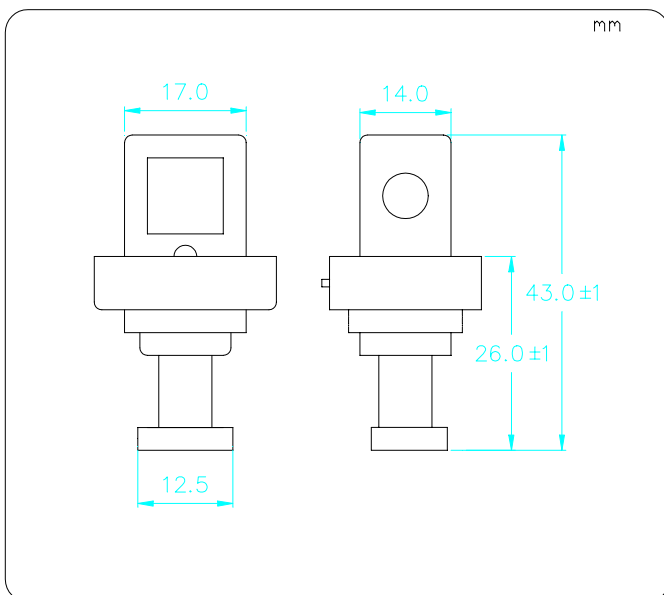
12V 18Ah

| TYPE | | CB18L-A | |
|------------------|----------|-----------------|----------|
| NOMINAL VOLTAGE | | 12V | |
| NOMINAL CAPACITY | | 18AH/10HR | |
| DIMENSIONS | | | |
| LENGTH | 180.5 mm | TOTAL LENGTH | 180.5 mm |
| WIDTH | 90.0 mm | TOTAL WIDTH | 90.0 mm |
| HEIGHT | 160.0 mm | TOTAL HEIGHT | 160.0 mm |
| WEIGHT | | APPROX. 4.6 KGS | |

Dimension



Terminal



Screw

