

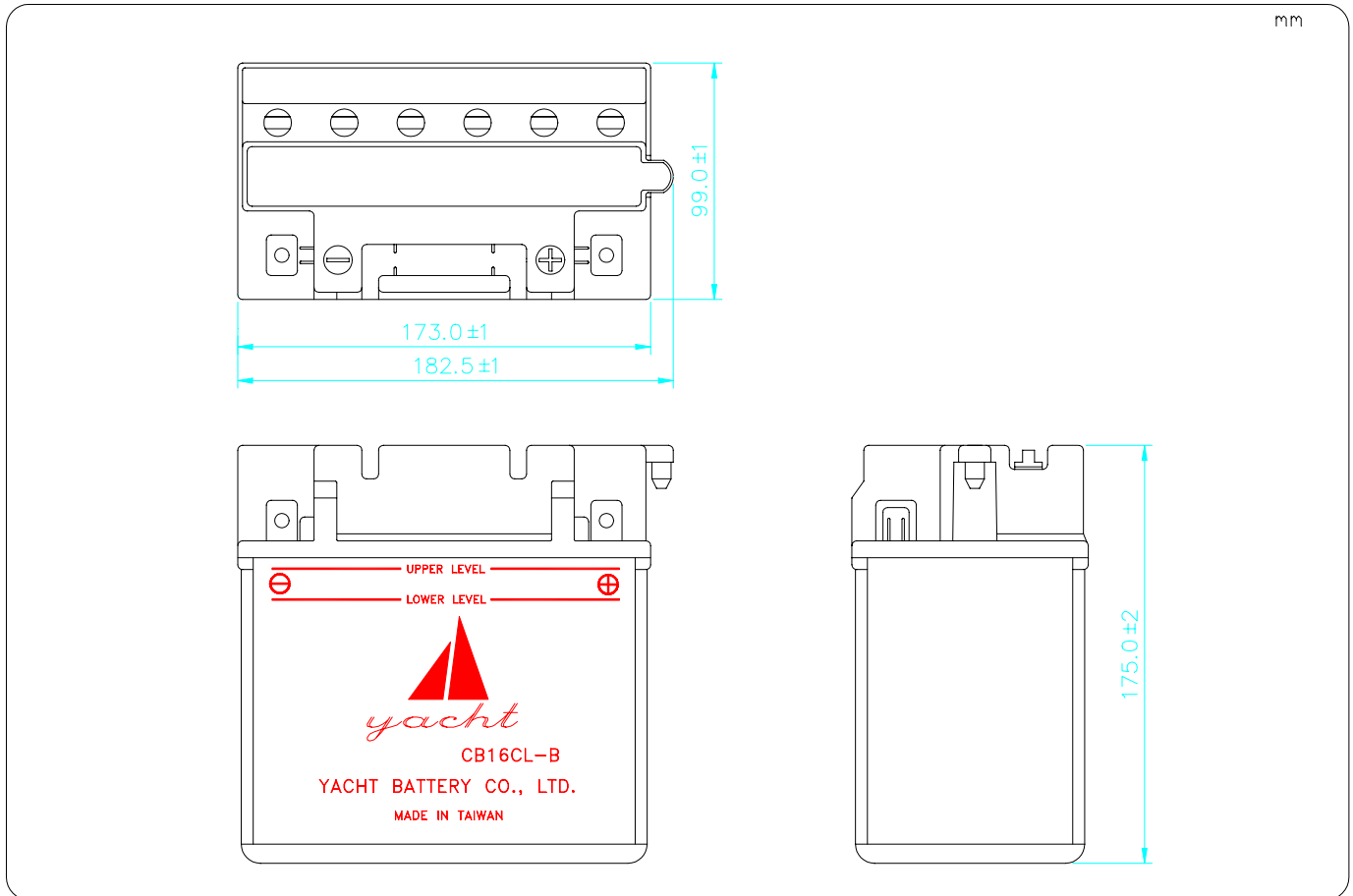
MOTORCYCLE LEAD-ACID BATTERY

CB16CL-B

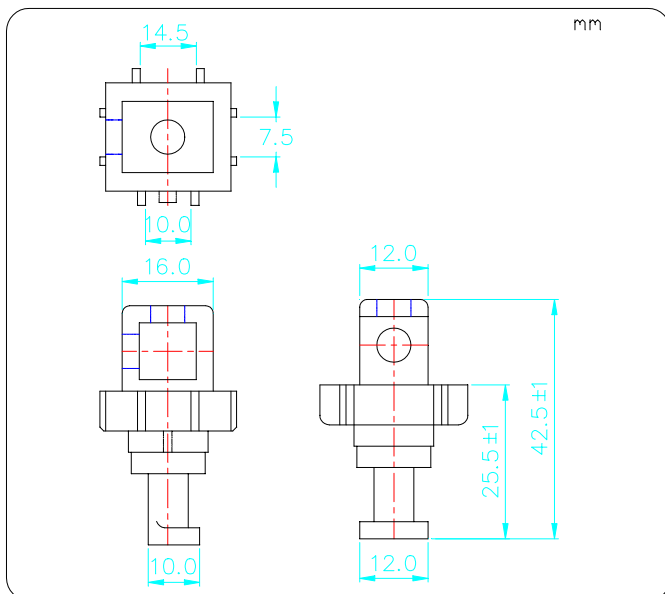
12V 19Ah

TYPE		CB16CL-B	
NOMINAL VOLTAGE		12V	
NOMINAL CAPACITY		19AH/10HR	
DIMENSIONS			
LENGTH	173.0 mm	TOTAL LENGTH	173.0 mm
WIDTH	99.0 mm	TOTAL WIDTH	99.0 mm
HEIGHT	175.0 mm	TOTAL HEIGHT	175.0 mm
WEIGHT	APPROX. 5.14 KGS		

Dimension



Terminal



Screw

