

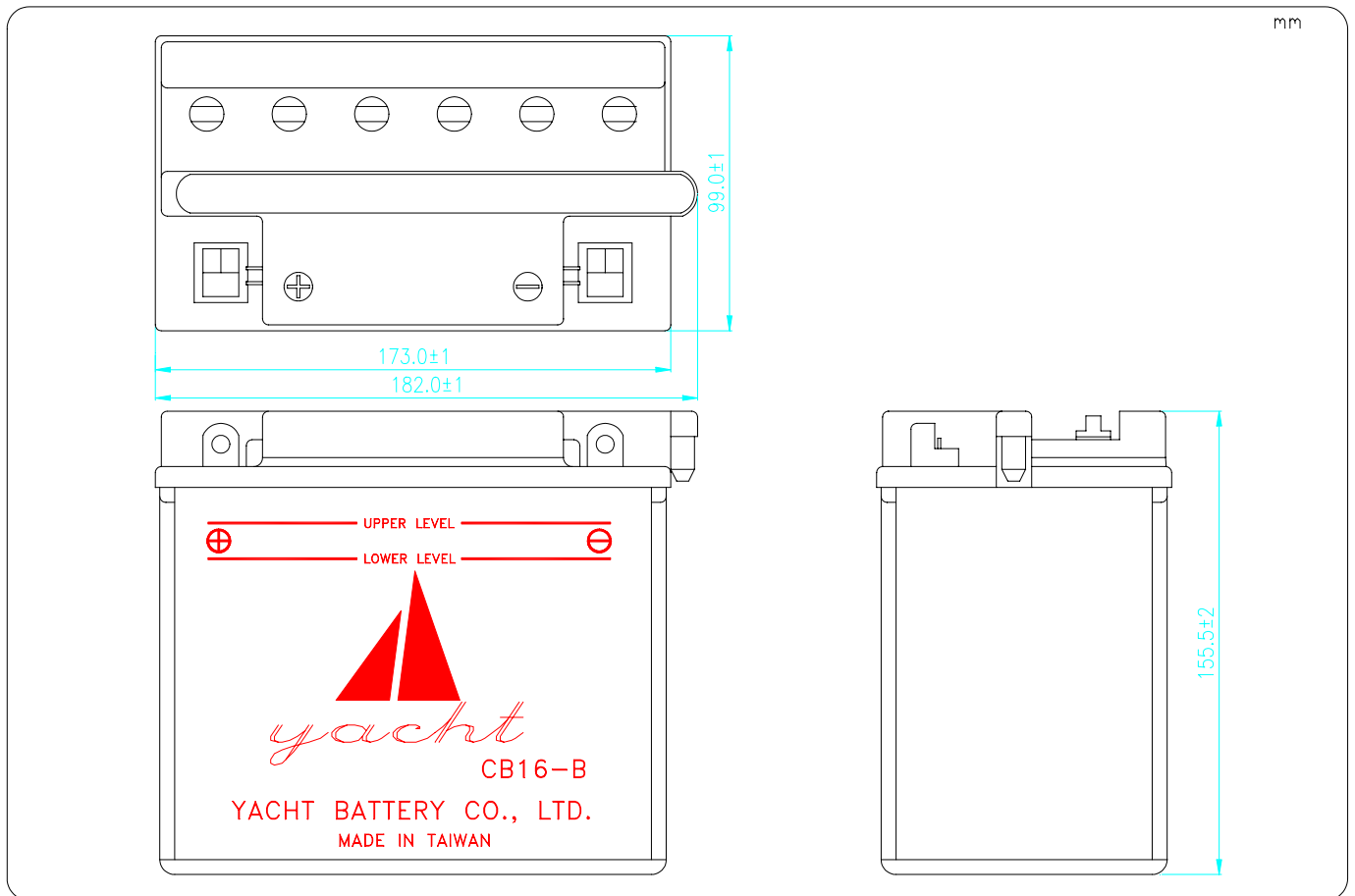
# MOTORCYCLE LEAD-ACID BATTERY

## CB16-B

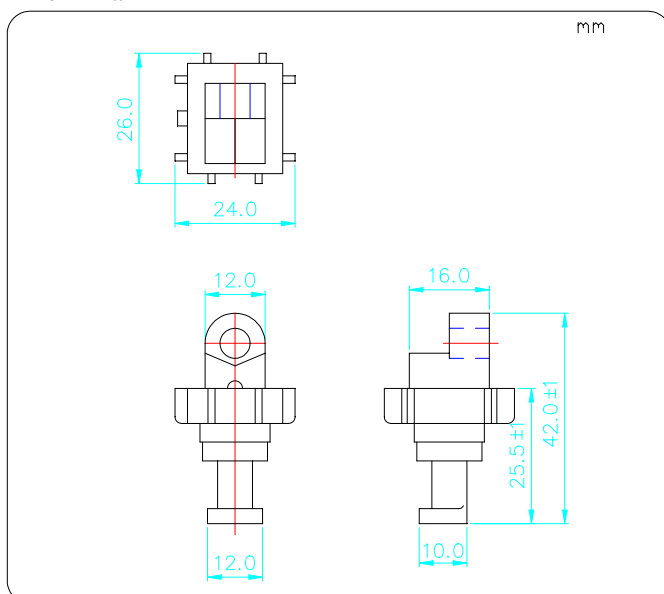
### 12V 19Ah

TYPE		CB16-B	
NOMINAL VOLTAGE		12V	
NOMINAL CAPACITY		19AH/10HR	
DIMENSIONS			
LENGTH	173.0 mm	TOTAL LENGTH	173.0 mm
WIDTH	99.0 mm	TOTAL WIDTH	99.0 mm
HEIGHT	155.5 mm	TOTAL HEIGHT	155.5 mm
WEIGHT		APPROX. 5.08 KGS	

Dimension



Terminal



Screw

