



POWERSPORT BATTERY Maintenance-Free AGM Battery Series

CT14B-BS 12V 13AH(10HR)

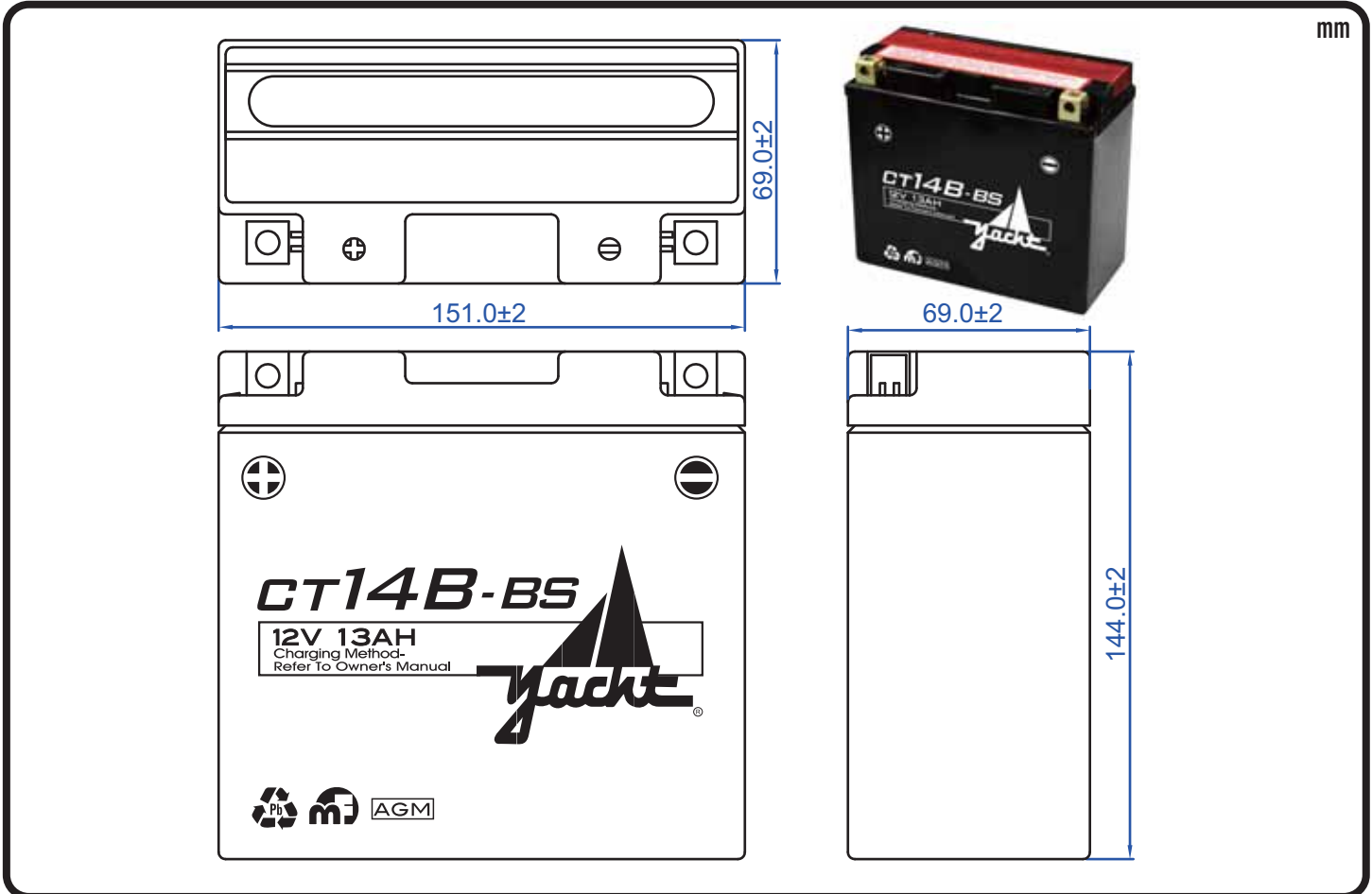


JIS JIS
D5302 C8702

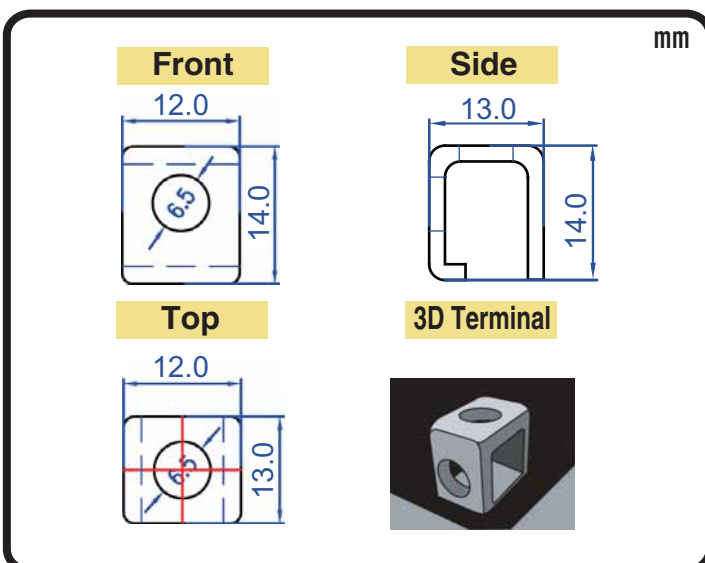
Specification

| BATTERY TYPE NUMBER | VOLTAGE (V) | CAPACITY AH (10HR) | MAXIMUM DIMENSIONS | | | | | | WEIGHT | | | |
|---------------------|-------------|--------------------|---------------------|----|-----|-------------------|---------|-------|--------------|------|--------------------------|-------|
| | | | MILLIMETERS (±2 mm) | | | INCHES (±1/16 in) | | | BATTERY ONLY | | INCLUDE ACID AND PACKAGE | |
| | | | L | W | H | L | W | H | Kg | Lbs | Kg | Lbs |
| CT14B-BS | 12 | 13 | 151 | 69 | 144 | 5 15/16 | 2 11/16 | 5 5/8 | 3.45 | 7.60 | 4.95 | 10.90 |

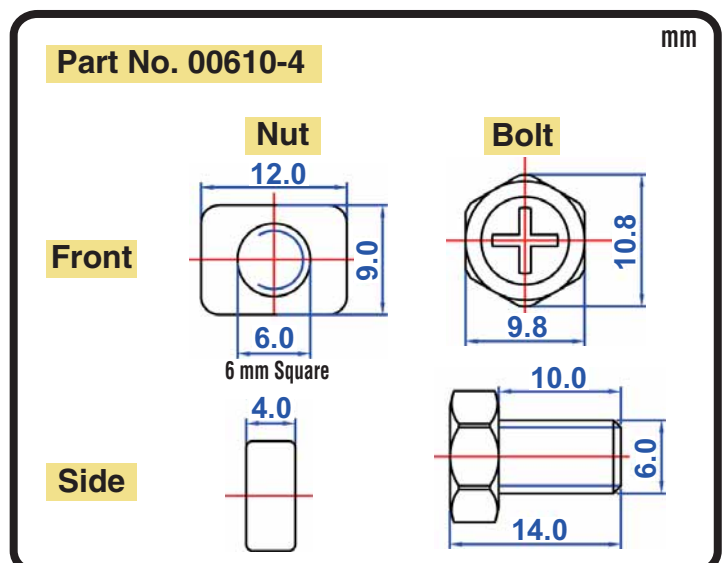
Dimension



Terminal Configuration



Nut & Bolt Hardware Kits



International Sales Division

4F-5, No. 123, Sec. 3, Taichung Port Road,
Taichung, 40767 Taiwan, R.O.C.
Tel : 886-4-2358-0578
Fax : 886-4-2358-0059
E-mail : sales@yacht-battery.com

Alpharetta Office

#429, 12460 Crabapple Road, Suite 202,
Alpharetta, GA 30004, U.S.A.
Tel : 1-678-580-0504
Fax : 1-888-456-5695
E-mail : Chuck.Fowler@yacht-battery.com

Pennsylvania Office

93 S. Sunrise Lane, Boyertown,
PA 19512, U.S.A.
Tel : 1-610-689-0443
Fax : 1-888-373-6466
E-mail : Dave.Beidler@yacht-battery.com