

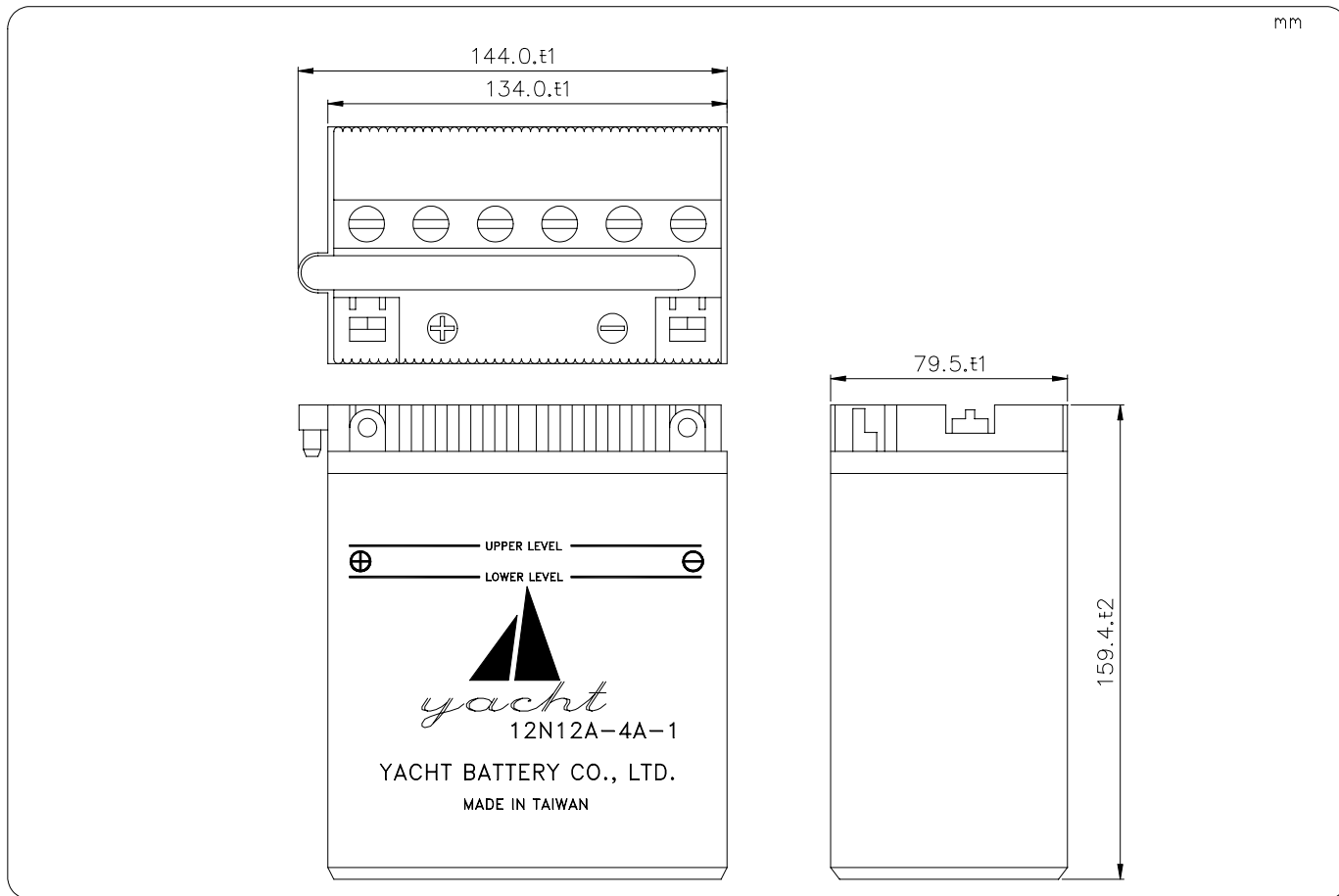
MOTORCYCLE LEAD-ACID BATTERY

12N12A-4A-1

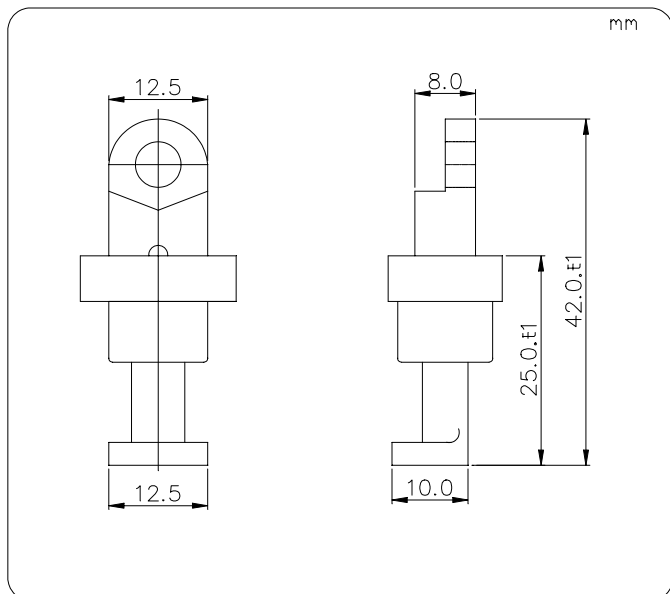
12V 12Ah

| | | | |
|-------------------------|----------|---------------------|----------|
| TYPE | | 12N12A-4A-1 | |
| NOMINAL VOLTAGE | | 12V | |
| NOMINAL CAPACITY | | 12AH/10HR | |
| DIMENSIONS | | | |
| LENGTH | 134.0 mm | TOTAL LENGTH | 144.0 mm |
| WIDTH | 79.5 mm | TOTAL WIDTH | 79.5 mm |
| HEIGHT | 159.4 mm | TOTAL HEIGHT | 159.4 mm |
| WEIGHT | | APPROX. 3.1 KGS | |

Dimension



Terminal



Screw

