

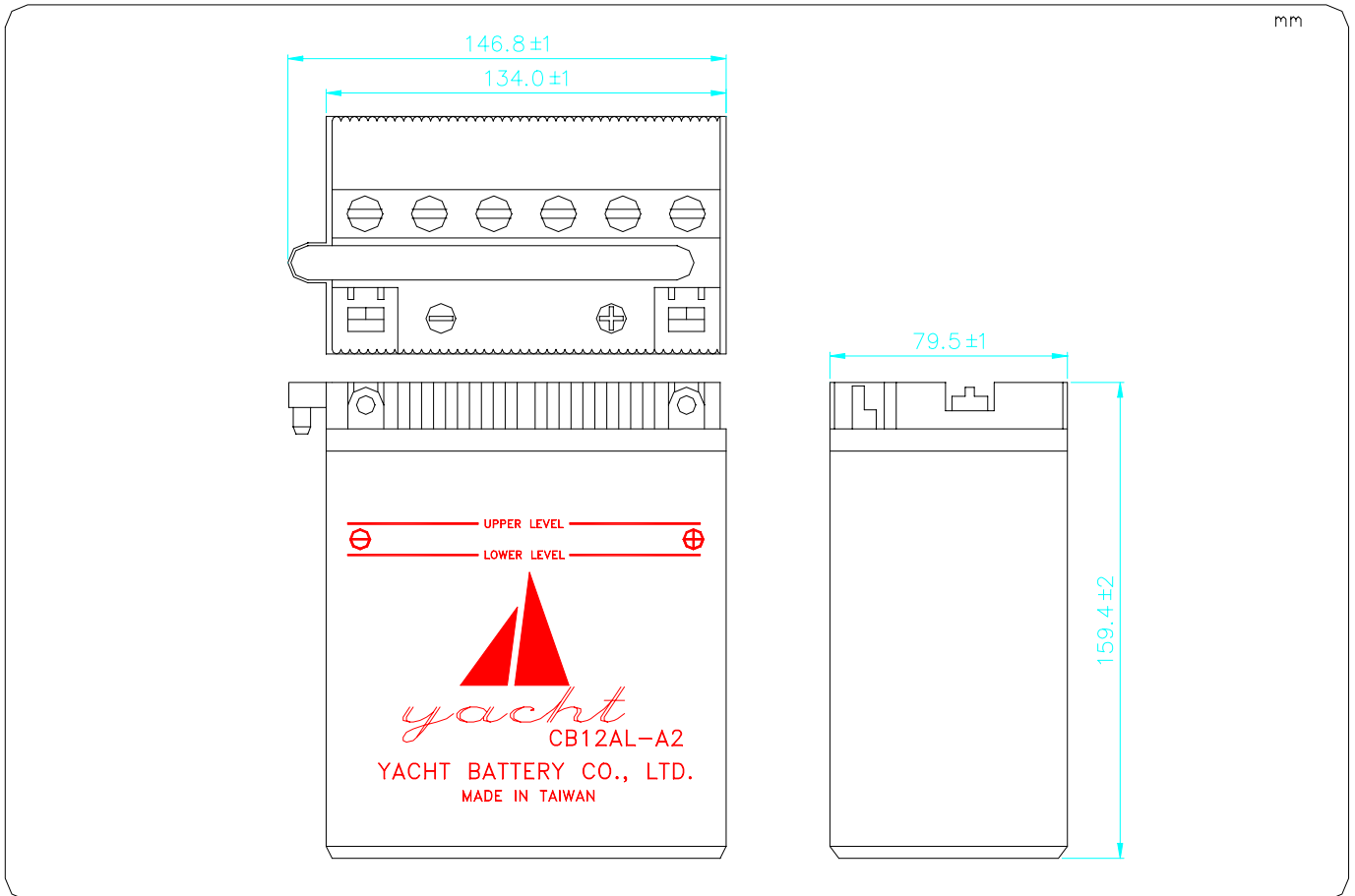
MOTORCYCLE LEAD-ACID BATTERY

CB12AL-A2

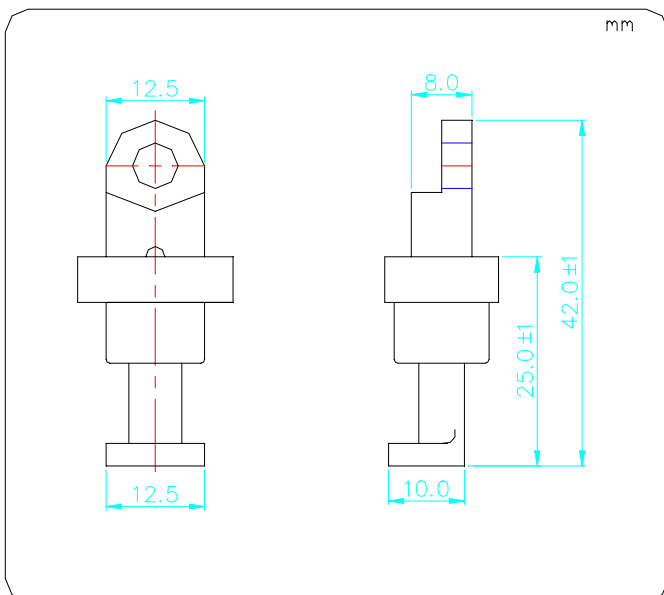
12V 12Ah

TYPE		CB12AL-A2	
NOMINAL VOLTAGE		12V	
NOMINAL CAPACITY		12AH/10HR	
DIMENSIONS			
LENGTH	134.0 mm	TOTAL LENGTH	134.0 mm
WIDTH	79.5 mm	TOTAL WIDTH	79.5 mm
HEIGHT	159.4 mm	TOTAL HEIGHT	159.4 mm
WEIGHT		APPROX. 3.06 KGS	

Dimension



Terminal



Screw

