

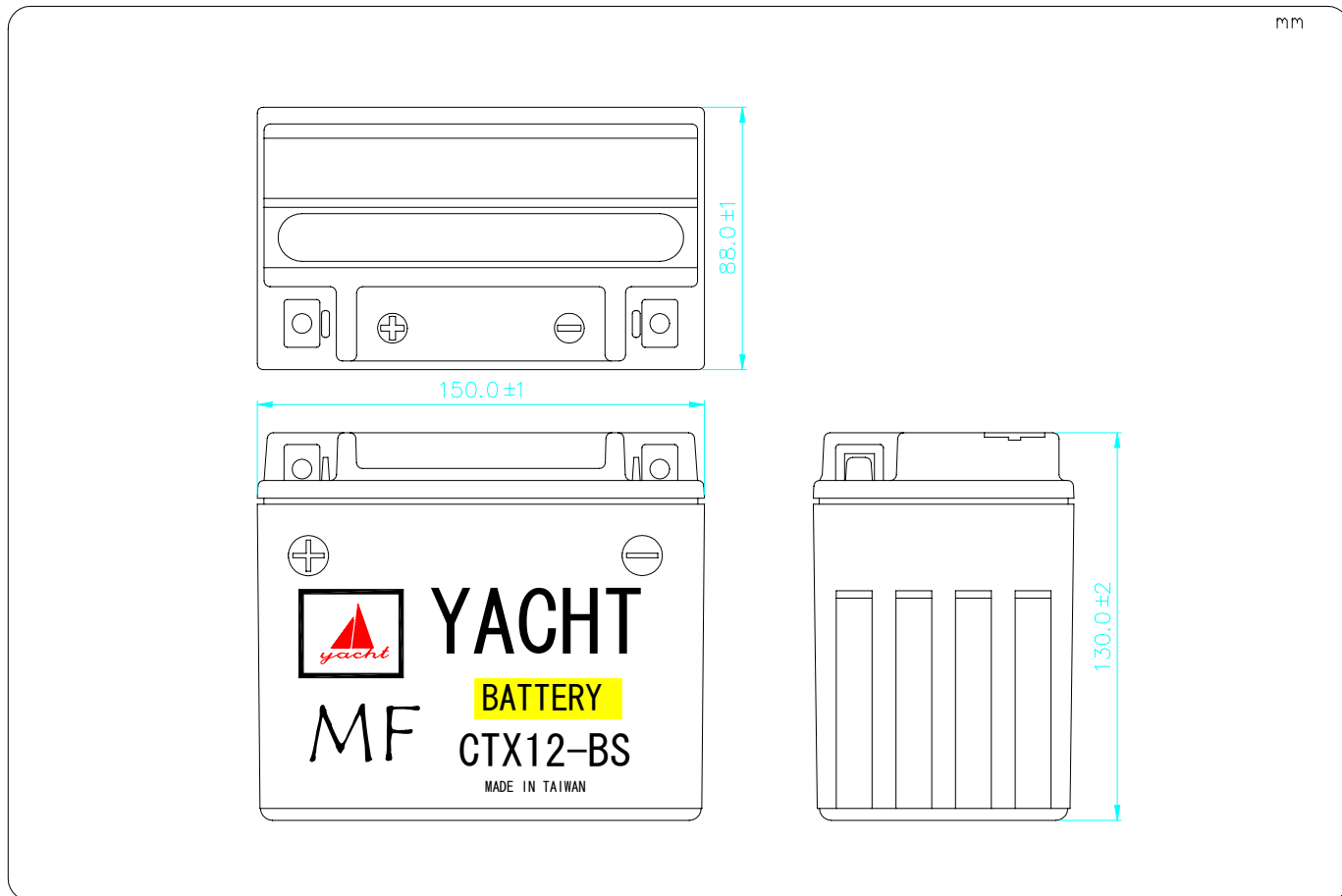
MOTORCYCLE LEAD-ACID BATTERY

CTX12-BS

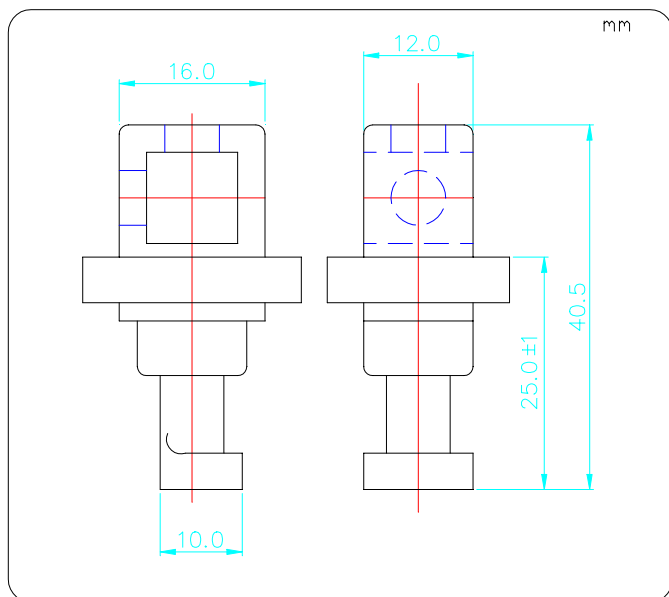
12V 10Ah

TYPE		CTX12-BS	
NOMINAL VOLTAGE		12V	
NOMINAL CAPACITY		10AH/10HR	
DIMENSIONS			
LENGTH	149.6 mm	TOTAL LENGTH	149.6 mm
WIDTH	88.0 mm	TOTAL WIDTH	88.0 mm
HEIGHT	130.0 mm	TOTAL HEIGHT	130.0 mm
WEIGHT		APPROX. 3.3 KGS	

Dimension



Terminal



Screw

