

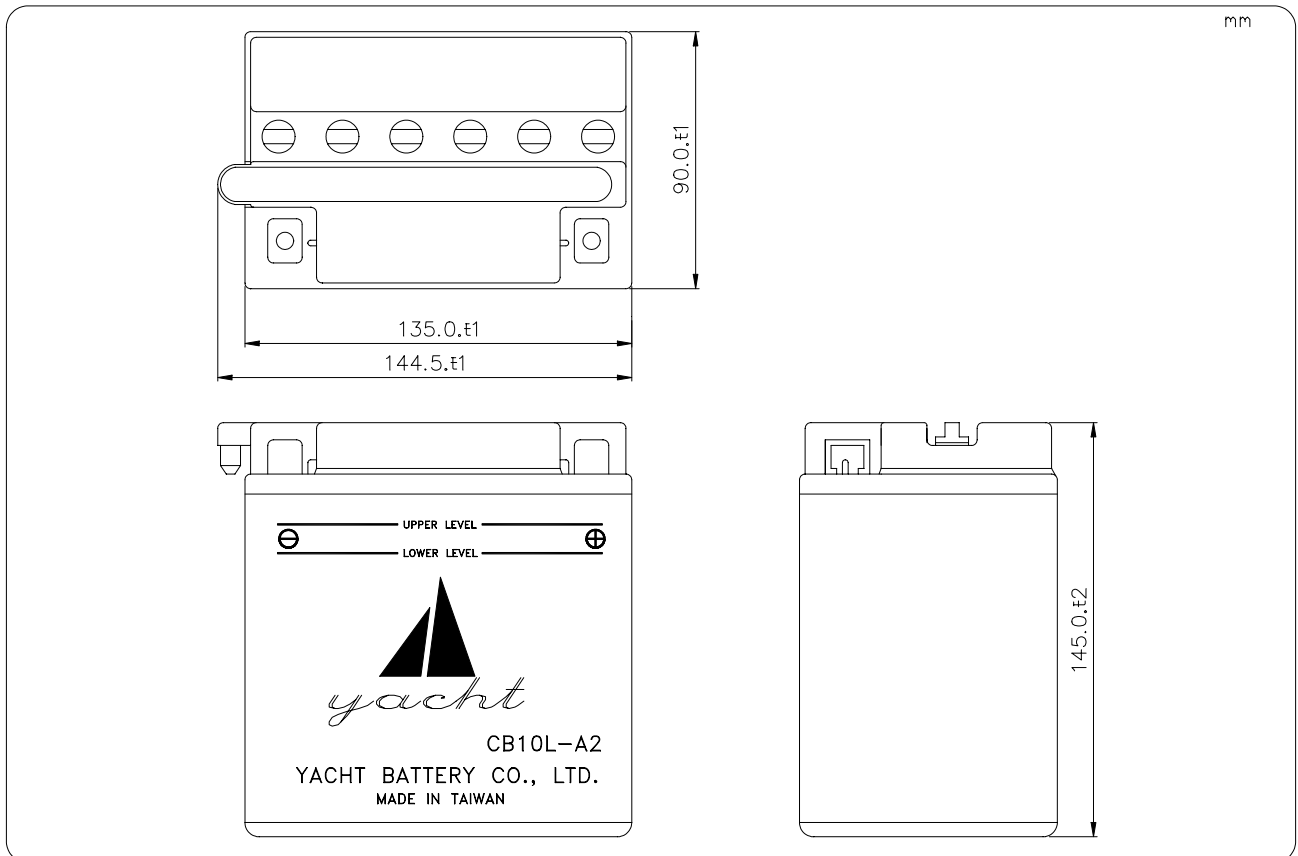
# MOTORCYCLE LEAD-ACID BATTERY

**CB10L-A2**

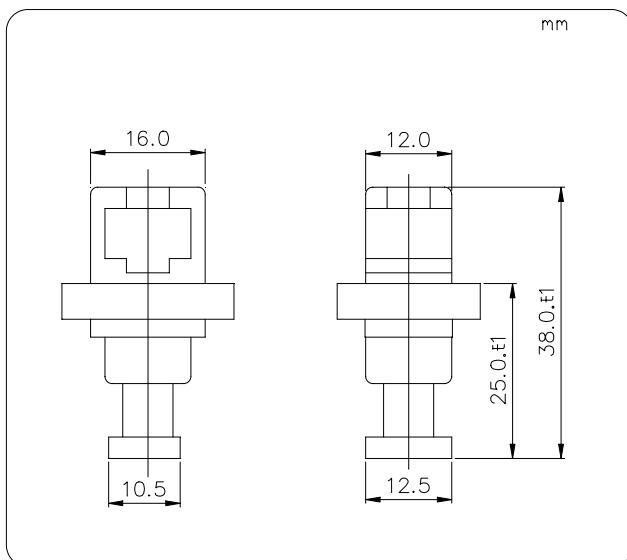
**12V 11Ah**

TYPE		CB10L-A2	
NOMINAL VOLTAGE		12V	
NOMINAL CAPACITY		11AH/10HR	
DIMENSIONS			
LENGTH	135.0 mm	TOTAL LENGTH	135.0 mm
WIDTH	90.0 mm	TOTAL WIDTH	90.0 mm
HEIGHT	145.0 mm	TOTAL HEIGHT	145.0 mm
WEIGHT		APPROX. 3.3 KGS	

Dimension



Terminal



Screw

